

AFCO

Al-Hanoof Factory

For Medical & Lab Supplies

Index

01 | Company Profile

Introduction	04
About us	05
Our history	06
Our certificates	07
Our factory	12

02 | Our Products

Introduction	17
Color code	18

03 | Vacuum Blood Collection Tubes

Vacuum Clot Activator Tubes	21
Vacuum EDTA K2 Tubes	22
Vacuum EDTA K3 Tubes	23
Vacuum ESR Tubes	24
Vacuum Fluoride Oxalate Tubes	25
Vacuum GEL & CLOT Activator Tubes	26
Vacuum Lithium Heparin Tubes	27
Vacuum Plain Without Additives Tubes	28
Vacuum Sodium Citrate Tubes	29
Vacuum Sodium Heparin Tubes	30

04 | Screw Capped Blood Collection Tubes

Screw Clot Activator Tubes	33
Screw EDTA K2 Tubes	34
Screw EDTA K3 Tubes	35
Screw Fluoride Oxalate Tubes	36
Screw GEL & CLOT Activator Tubes	37
Screw Lithium Heparin Tubes	38
Screw Plain Without Additives Tubes	39

05 | Push Capped Blood Collection Tubes

Push Capped Clot Activator Tubes	41
Push Capped EDTA K2 Tubes	42
Push Capped EDTA K3 Tubes	43
Push Capped Fluoride Oxalate Tubes	44
Push Capped GEL & CLOT Activator Tubes	45
Push Capped Lithium Heparin Tubes	46
Push Capped Plain Without Additives Tubes	47
Push Capped Sodium Citrate Tubes	48
Push Capped ESR Tubes	49

06 | Transport Swab Products

Transport Swab - Without Media	52
Amies Transport Medium TubeTubes	53
Cary Blair Transport Medium Tube	55

07 | Petri Dishes Products

Petri Dishes	57
--------------------	----

08 | Containers Products

Urine Container	59
Stool Container	60
Universal Tube	61
Centrifuge Tube Conical	62
Test Tube	63

09 | Microscope Slides & Microscope Cover Glass

Plain Microscope Slide Ground Edges	65
Microscope Slide Ground Edges Single Frosted	66
Cover Slides	67
Microplate 96 Well	68

Index

10 | Consumables

Wooden Applicator Stick 150 mm	70
Tourniquet	71
Plastic Cuvette	72
Pipette Tips	73
Micro-Centrifuge Tube With Snap Cap	74
Hitachi Sample Cup	75
Microplate 96 Well	76
Sharps Disposal Containers	77

11 | Pathology / Histology Products

Embedding Cassette	79
Base Molds	80
Slide Staining	81
Slide Storage	82

12 | Microbiology / Cell Culture / Molecular Biology

Inoculation Loop	84
Cell culture flask	85
Autoclave Indicator Tape	86
Reagent Bottles	86
Serological Pipettes, Plastic	87
Pipette Pump	87
Levo Pipette Controller	88
Magnetic Stirrer	88
Mortars	89
Blood Culture Medium	90

13 | Stains

Eosin Stain Bottle	92
Giemsa stain	93
Rapi Stain	94
Gram's Stain kit	95
Haematoxylin	96
Leishmans Stain	97
Ziehl-Neelsen	98
Mounting Media -DPX	99
Lugul Iodine stain	100
Retic stain	101
Methylene blue	102

14 | Chemistry Kit, Blood Group, Serology Kit

ALT / GPT	104
AST / GOT	105
Alkaline Phosphatase	106
Creatinine	107
Potassium	108
Sodium	109
Sulfosalicylic Acid	110
Drabkin	111
RBC	112
Anti Human	113
Bovine	114
Anti A, Anti B, Anti D	115

15 | SEROLOGY KITS

ASO LATEX KIT	117
CRP LATEX KIT	118
RF LATEX KIT	119
Rose Bengal KIT	120
WIDAL Antigen Set KIT	121



Al-Hanoof Factory
For Medical & Lab Supplies

INTRODUCTION

AL-Hanoof Factory for Medical & Lab Supplies is a Jordanian private holding company established in 2006. AL Hanoof Factory for Medical & Lab Supplies specialized in manufacturing & supplying of single use medical devices & lab disposable under standard methods to meet the needs of laboratories.





About us

QUALITY POLICY

Our policy is to provide our customers with products that meet or exceed their quality requirements.

We are committed to comply with the national & international requirements like ISO9001:2015, ISO13485:2016, GMP & CE requirements & continually improve the effectiveness of our quality system.

Our Vision

To continuously develop our products with the goal to be the preferred medical & lab supplies manufacture in the world.

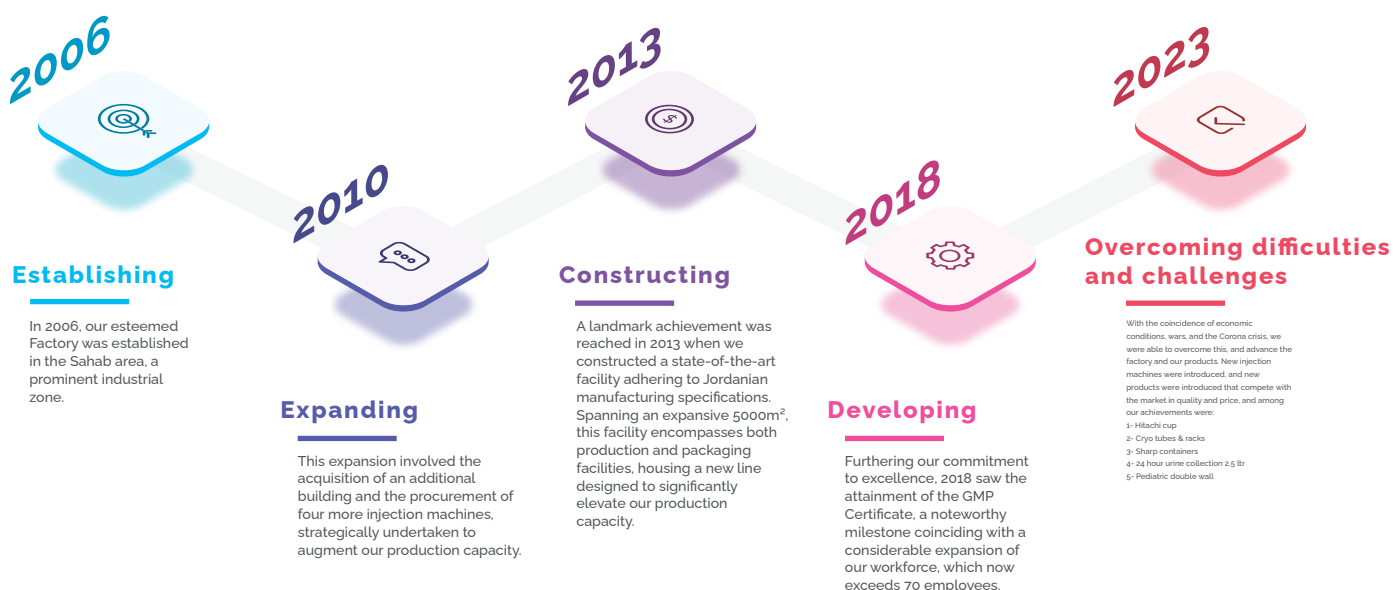
Our Mission

Provide products with high quality standards while consistently achieving customer satisfaction. Respect & comply with international standards, safety, environmental & legal requirements. Continually improve our products through innovation, motivation, suggestion & customer feed-back.

Our History

Our Factory Established in 2006 in the Sahab industrial zone, our Factory embarked on a journey marked by continuous growth and commitment to excellence. Commencing production in 2007 with three injection machines and eight employees, our response to market demands led to an expansion in 2010—acquiring a new building and four additional machines. Diversification occurred in 2011 with the introduction of vacuum blood collection tubes, accompanied by ISO 9001 certification. Quality remained paramount, prompting extensive efforts in 2012.

A milestone was achieved in 2013 with the construction of a new 5000m² facility, meeting Jordanian manufacturing standards. ISO 13485 and CE Certificates were secured in 2015, followed by a Free Sale Certificate in Europe in 2016. The year 2018 marked another significant milestone with the attainment of the GMP Certificate, coinciding with a workforce exceeding 70 employees. Our history reflects a legacy built on dedication, innovation, and an unwavering pursuit of quality.



Our Certificates



Our Certificates



Certificate of Compliance

We confirm that all the below mentioned products are the products classified as General Class A IVD products as per rule 5 of Annexure 8 of regulation (EU) 2017/746 and hence falls under this compliance assessment Procedure. We hereby also confirm that the technical documentation for below mentioned products.

Vacuum /non-Vacuum Blood Collection Tube with/without Additives, Urine Cup Sterile/Non Sterile, Transport swab with/without media, Plastic Petri-Dishes, Tubes for Laboratory Testing
(For detailed specifications refer to Annexure of this Certificate)

Manufactured by company

Al Hanoo Factory for Medical & Lab Supplies
Al-Autostrad Street, Amman Zarqa Highway, PO Box- 960904, Amman- Marka 11196, Jordan

complies with the applicable essential requirements of Regulation (EU) 2017/746 as confirmed by the organization on Declaration of Conformity.

The European Compliance Assessment has conducted with successful results the review of the manufacturer's technical documentation of the certified product according to above mentioned Directive and Harmonized European Standards.

The product description, documents, assessment procedures and evaluations of the examination are presented in the Technical Construction File (TCF) retained at manufacturer's place.

This Certificate is issued under the following conditions:

1. The Certificate validity is conditioned by the positive results of the surveillance audits.
2. The Certificate remains valid until the manufacturing conditions, the quality systems or relevant legislation are changed.
3. Any significant changes in the design or process used to manufacture the product / equipment, or revision to the directive/s or standard/s referred above may render this certificate invalid.
4. After fulfilling the relevant EU legislation requirements, the manufacture shall affix to each product of the above referenced models, CE- marking according to the following example



This certificate of compliance is for the exclusive use of ECA's client and is provided pursuant to the agreement between ECA and its client. ECA's responsibility and liability are limited to the terms and conditions of the agreement. ECA assumes no liability to any party, other than to the client in accordance with the agreement, for any loss, expense or damage occasioned by the use of this Certificate of compliance. Only the Client is authorized to permit copying or distribution of this Certificate of compliance. Any use of the ECA name or one of its marks for the sale or advertisement of the tested material, product or service must first be approved in writing by ECA. As applicable, the observations and test/inspection results referenced in this Certificate of compliance are relevant only to the sample tested/inspected.

Cert. No. : CE/1196/23/02
First Issue Date : 22 April 2020
Issue Date : 18 May 2023
Validity : 3 Years
Retire Due Date : 22 April 2024

Signed by : Tech. Manager

EUROPEAN COMPLIANCE ASSESSMENT, Level 2000, Boston Tower, 5 Place Du Champ De Mars, B-1050, Brussels, Belgium.
This Certificate is the property of ECA and is valid only if it is used for the intended purpose. Please do not photocopy or reproduce for validity of the certificate.

Page 1 of 01

Our Certificates



Our Certificates



Our Certificates



Our Factory

The number of employees at the factory has increased in the past three years as our need for production has increased. We have highly experienced and efficient production and management employees.



Our Factory

Our products are laboratory disposables that are manufactured under a quality management system. Our products are sterile by gamma radiation or E.O., or non-sterile according to the product and customer requirements.

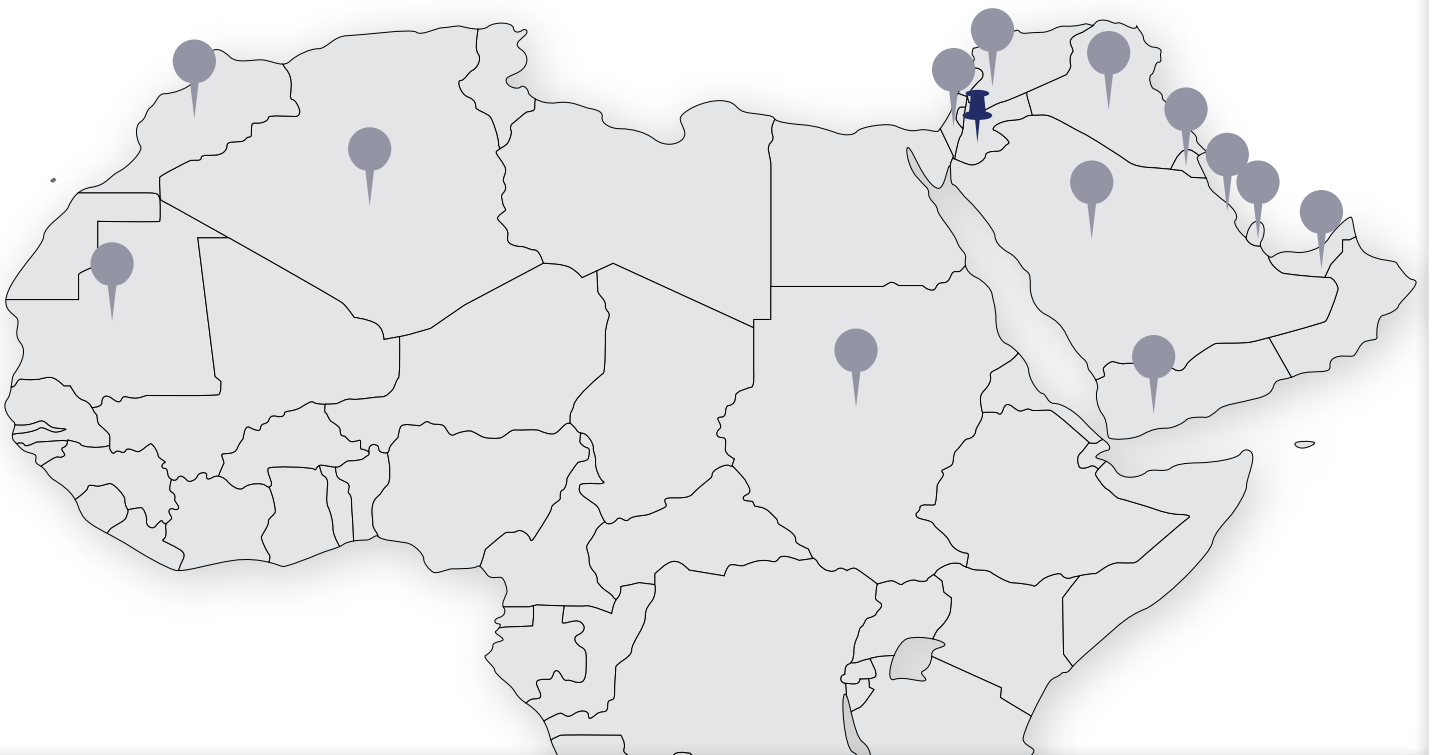


Our Factory

Our factory has successfully expanded our product reach to most Middle Eastern countries, including the following key markets: Saudi Arabia - Bahrain - Iraq - Syria - Palestine - Yemen - Mauritania - Morocco - Algeria - Qatar - Sudan - United Arab Emirates.

We take pride in our professional approach to exporting and strive to provide high-quality products and exceptional customer service to all of our clients in the region.

***Quality Beyond Measure
Care Beyond Borders.***



Our Lab



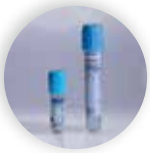
The factory has a specialized laboratory for quality and control checks, where chemical and microbial tests are carried out for each batch number that is produced.

Our Lab

Lorem ipsum dolor sit amet, consectetur adipiscing elit, sed diam nonummy nibh euismod tincidunt ut laoreet dolore magna aliquam erat volutpat. Ut wisi enim ad minim veniam, quis nostrud exercitation ullamcorper suscipit lobortis nisl ut aliquip ex ea commodo consequat. Duis autem vel eum iriure dolor in hendrerit in vulputate velit esse molestie consequat, vel illum dolore eu feugiat nulla facilisis at vero eros et accumsan et iusto odio dignissim qui blandit praesent luptatum zzril delenit augue duiis dolore te feugait nulla facilisi.



OUR PRODUCTS



Vacuum Blood Collection Tubes

Intended to be used in hematology laboratory for withdrawing Whole blood or EDTA Plasma in order to examine various kinds of blood cells.



Non-Vacuum Blood Collection Tubes

Used for blood testing and analysis in the hematology laboratory. MATERIAL Tube manufactured using Polypropylene.



Containers

Transparent polypropylene plastic graduated cup with different capacity up to 120ml.



Test Tube

Test Tube are multi-purposes tubes intended for collection, storage & transport of laboratory specimens.



Petri Dishes

Petri Dishes uses are varied, but it mostly used for holding a culture medium upon which cells, bacteria, fungus & viruses can be grown & studied.



Transport Swab

for collection & transport of laboratory specimens from collection site to the testing laboratory.

Tubes	Color code	Additive	Tests
No additive		/	Clinical chemistry, serology, immunology
Clot activator		Clot activator	Clinical chemistry, serology, immunology, protein electrophoresis
Clot activator & Gel		Gel & Clot activator	Clinical chemistry, serology, immunology, protein electrophoresis
EDTA		EDTA K2 EDTA K3	Hematology immunology
Sodium citrate 1 : 4		Sodium citrate 0,129 mol/l (3,8%)	Blood sedimentation
Sodium citrate 1 : 9		Sodium citrate 0,129 mol/l (3,8%) 0,109 mol/l (3,2%)	Coagulation test
Heparin		Lithium heparin Sodium heparin	Study of plasma in biochemical studies
Glucose		Na fluoride / EDTA Na fluoride / Potassium oxalate	The level of glucose, lactate glycosylated hemoglobin
Glucose for the diagnosis of gestational diabetes		Na fluoride / EDTA K3 & Gel	The level of glucose for diagnosis of gestational diabetes (especially effective for pregnant women to detect latent diabetes).
Heparin & Gel		Lithium heparin & Gel Sodium heparin & Gel	Research of plasma in biochemical studies
EDTA & Gel		EDTA & Gel	Preparation of pure plasma for virus research and molecular diagnostics
ACD-A		ACD-A	Immunology, and are also intended for testing blood groups and blood storage

Vacuum Blood Collection Tubes

Introduction

Discover the future of blood collection with our Vacuum Blood Collection Tubes. Engineered with advanced vacuum technology, these tubes ensure precise, efficient, and patient-friendly blood sampling.

Key Features:

Vacuum Technology: Enables controlled blood draw, enhancing precision and reducing errors.

Color-Coded System: Streamlines identification of additives, simplifying the workflow for healthcare professionals.

Preservation of Sample Integrity: Maintains sample quality, accurately reflecting the patient's physiological condition.

Wide Range of Additives: Available with various additives for comprehensive testing requirements.

Patient-Focused Design: Minimizes invasiveness, contributing to a positive patient experience.



Vacuum Blood Collection Tubes

- Vacuum Clot Activator Tubes
- Vacuum EDTA K2 Tubes
- Vacuum EDTA K3 Tubes
- Vacuum ESR Tubes
- Vacuum Fluoride Oxalate Tubes
- Vacuum GEL & CLOT Activator Tubes
- Vacuum Lithium Heparin Tubes
- Vacuum Plain Without Additives Tubes



Vacuum Blood Collection Tubes

Clot Activator Tubes

INTENDED USE

Plain Clot Activator Blood Collection tube intended to be used in laboratory for drug monitoring, serum biochemistry & serum immunology tests.

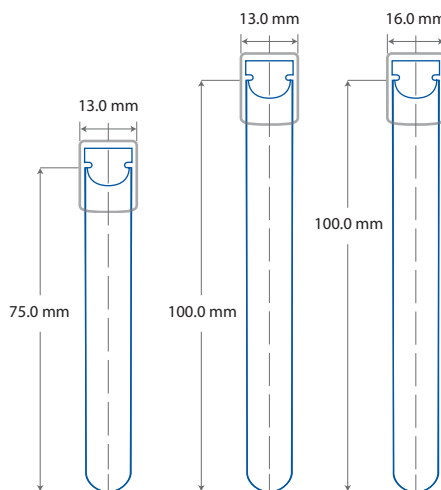
MATERIAL

- Tubes manufactured using transparent PET** or Glass. Caps manufactured using polyethylene. and sometimes using rubber cap as the customer need



DESCRIPTION

Vacuum tube with Red color coded safety cap supported with piston rubber to seal. The inner wall of each tube is coated with a clot activator which activate the coagulation process when tubes are inverted. Tubes Either Sterile by Gamma Radiation or Non Sterile, tubes are available in different size.



Product Code	Tube Material	Draw Volume (mL)	Tube Size (mm)	Pieces per Rack	Pieces per Box
FV07001	Glass	1 ml	13x50	100	2000
FV07002	PET	4 ml	13x75	100	1200
FV07003	Glass	4 ml	13x75	100	1200
FV07004	PET	6ml	13x100	100	1200
FV07005	Glass	6 ml	13x100	100	1200
FV07006	PET	7 ml	16x100	50	1200
FV07007	Glass	7 ml	16x100	50	1200
FV07008	PET	8 ml	16x100	50	1200
FV07009	Glass	8 ml	16x100	50	1200
FV07010	PET	10 ml	16x100	50	1200
FV07011	Glass	10 ml	16x100	50	1200
FV07012	PET	2 ml	13x75	100	1200
FV07013	PET	3 ml	13x75	100	1200
FV07014	PET	5 ml	13x100	100	1200
FV07015	PET	1 ml	13x75	100	1200
FV07016	PET	0.5 ml	13x75	100	1200
FV07017	PET	10 ml	16x100	50	1200

*** Double wall tube
** PET tube always sterile

Vacuum Blood Collection Tubes

EDTA K2 Tubes

INTENDED USE

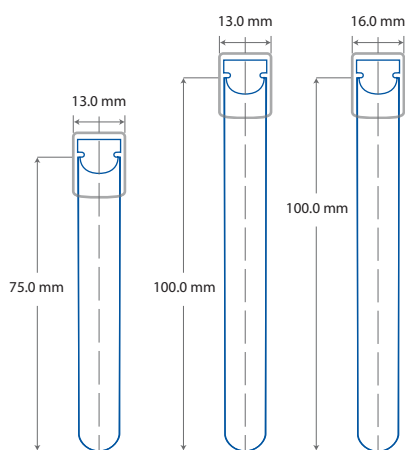
Intended to be used in hematology laboratory for withdrawing Whole blood or EDTA Plasma in order to examine various kinds of blood cells .

MATERIAL

Tubes manufactured using transparent PET or Glass. Caps manufactured using polyethylene. and sometimes using rubber cap as the customer need

DESCRIPTION

Vacuum tube With purple Color Coded safety cap supported with piston rubber to seal. Each tube contains Dipotassium Dihydrogen thylenediaminetetraacetate (EDTA K2) solution to anticoagulant blood specimen when tubes are inverted. Tubes Either Sterile by Gamma Radiation or Non Sterile. Tubes are available in diferent size.



Product Code	Tube Material	Draw Volume (mL)	Tube Size (mm)	Pieces per Rack	Pieces per Box
FV02001	PET	2 ml	13x75	100	1200
FV02002	Glass	2 ml	13x75	100	1200
FV02003	PET	3 ml	13x75	100	1200
FV02004	Glass	3 ml	13x75	100	1200
FV02005	PET	4 ml	13x75	100	1200
FV02006	Glass	4 ml	13x75	100	1200
FV02007	PET	5 ml	13x100	100	1200
FV02008	Glass	5 ml	13x100	100	1200
FV02009	PET	6 ml	13x100	100	1200
FV02010	Glass	6 ml	13x100	100	1200
FV02011	PET	9 ml	16x100	50	1200
FV02012	Glass	9 ml	16x100	50	1200
FV02013	PET	10 ml	16x100	50	1200
FV02014	Glass	10 ml	16x100	50	1200
FV02015	PET	2 ml	13x75	100	1200
FV02016	PET	5 ml	16x100	50	1200
FV02017	PET	7 ml	13x100	100	1200
FV02022	PET	6 ml	16x100	50	1200
FV02023	Double Glass	1 ml	13x75	100	1200
FV02024	Double Glass	0.5 ml	13x75	100	1200
FV02025	PET	7 ml	16x100	50	1200

* Vacuum Blood Collection Tube EDTA K2 with Soduium Floride 2 ml
 ** PET tube always sterile

Vacuum Blood Collection Tubes

EDTA K3 Tubes

INTENDED USE

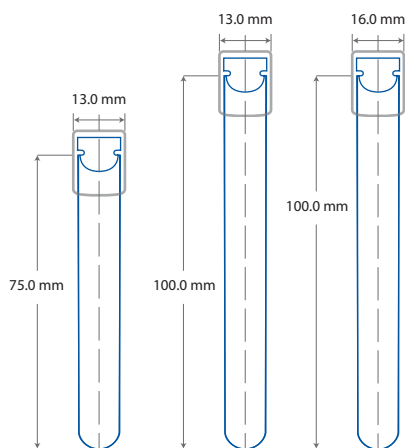
Intended to be used in hematology laboratory for withdrawing Whole blood or EDTA Plasma in order to examine various kinds of blood cells .

MATERIAL

Tubes manufactured using transparent PET or Glass. Caps manufactured using polyethylene. and sometimes using rubber cap as the customer need

DESCRIPTION

Vacuum tube With purple Color Coded safety cap supported with piston rubber to seal. Each tube contains Tri-potassium Dihydrogen Ethylenediaminetetraacetate (EDTA K3) solution to anticoagulant blood specimen when tubes are inverted. Tubes Either Sterile by Gamma Radiation or Non Sterile. Tubes are available in different size.



Product Code	Tube Material	Draw Volume (mL)	Tube Size (mm)	Pieces per Rack	Pieces per Box
FV01001	Glass	0.5 ml	13*50	100	1200
FV01002	PET	1 ml	13*75	100	1200
FV01003	PET	2 ml	13*75	100	1200
FV01004	Glass	2 ml	13*75	100	1200
FV01005	PET	3 ml	13*75	100	1200
FV01006	Glass	3 ml	13*75	100	1200
FV01007	PET	4 ml	13*75	100	1200
FV01008	Glass	4 ml	13*75	100	1200
FV01009	PET	4.5 ml	13*75	100	1200
FV01010	PET	5 ml	13*100	100	1200
FV01011	Glass	5 ml	13*100	100	1200
FV01012	PET	6 ml	13*100	100	1200
FV01013	Glass	6 ml	13*100	100	1200
FV01014	PET	9 ml	16*100	100	1200
FV01015	Glass	9 ml	16*100	50	1200
FV01016	PET	10 ml	16*100	50	1200
FV01017	Glass	10 ml	16*100	50	1200
FV01018*	PET	8 ml	16*100	50	1200
FV01021	PET	7 ml	16*100	50	1200
FV01023	PET	8 ml	16*100	50	1200
FV01025	PET	8 ml	16*100	50	1200
FV01027	Double PET	1 ml	13*75	100	1200
FV01028	PET	0.5 ml	13*75	100	1200

* Vacuum Blood Collection Tube EDTA K3 With Gell 8 ml PET
 ** PET tube always sterile

Vacuum Blood Collection Tubes

ESR Tubes

INTENDED USE

ESR Blood Collection Tubes are intended to be exclusively used for venous blood collection for determination of the Erythrocyte Sedimentation Rate.

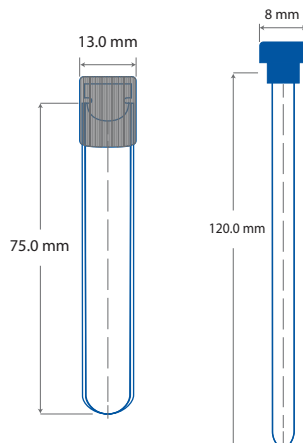
MATERIAL

Tubes manufactured using transparent PET** or Glass. Caps manufactured using polyethylene, and sometimes using rubber cap as the customer need



DESCRIPTION

Vacuum test tube "Plastic (we use Double Wall tube PET to prevent dehydration of Sodium Citrate solution inside) or Glass" with Black color coded safety cap supported with piston rubber to seal, Concentration of sodium citrate anticoagulant in the tube is 3.8% or 3.2% depend on customer requirement, preparation of blood and anticoagulant in the tube is controlled as 1 : 4 strickly. Tubes Either Sterile by Gamma Radiation or Non Sterile, tubes are available in different size.



Product Code	Tube Material	Draw Volume (mL)	Tube Size (mm)	Pieces per Rack	Pieces per Box
FV04001	PET	2 ml	13x75	100	1200
FV04002	Glass	2 ml	13x75	100	1200
FV04003	Glass	4 ml	13x75	100	1200
FV04004	Glass	1.7 ml	13x75	100	1000
FV04006	PET	1.6 ml	13x75	100	1200
FV04007	PET	1.6 ml	13x75	100	1200
FV04009	Glass	1.8 ml	8x120	100	1000
FV04010	Glass	1.6 ml	8x120	100	1200
FV04011	PET	2 ml	13x75	100	1200

* D.W : Double Wall PET tube.
 ** PET tube always sterile

Vacuum Blood Collection Tubes

Fluoride Oxalate Tubes

INTENDED USE

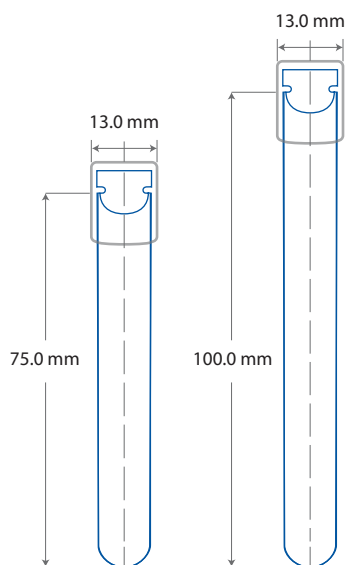
Fluoride Oxalate Blood Collection Tubes are intended to be used for specially glucose blood tests.

MATERIAL

Tubes manufactured using transparent PET or Glass. Caps manufactured using polyethylene, and sometimes using rubber cap as the customer need.

DESCRIPTION

Vacuum tube with Gray color coded safety cap supported with piston rubber to seal. The tubes contain potassium oxalate and sodium fluoride in varying concentrations depending on the tube type and stated volumes. Tubes Either Sterile by Gamma Radiation or Non Sterile, tubes are available in different size.



Product Code	Tube Material	Draw Volume (mL)	Tube Size (mm)	Pieces per Rack	Pieces per Box
FV06001	PET	2 ml	13x75	100	1200
FV06002	Glass	3 ml	13x75	100	1200
FV06003	PET	4 ml	13x75	100	1200
FV06004	Glass	4 ml	13x75	100	1200
FV06005	PET	5 ml	13x100	100	1200
FV06006	Glass	5 ml	13x100	100	1200
FV06007	PET	6 ml	13x100	100	1200
FV06008	Glass	6 ml	13x100	100	1200
FV06009	PET	3 ml	13x75	100	1200
FV06010	D.W	3 ml	13x75	100	1200
FV06011	PET	8 ml	13x100	50	1200
FV06012	(D.W) PET	3 ml	13x75	100	1200
FV06013	(D.W) PET	0.5 ml	13x75	100	1200
FV06014	D.W	1 ml	13x75	100	1200

** PET tube always sterile

Vacuum Blood Collection Tubes

Gel & Clot Activator Tubes

INTENDED USE

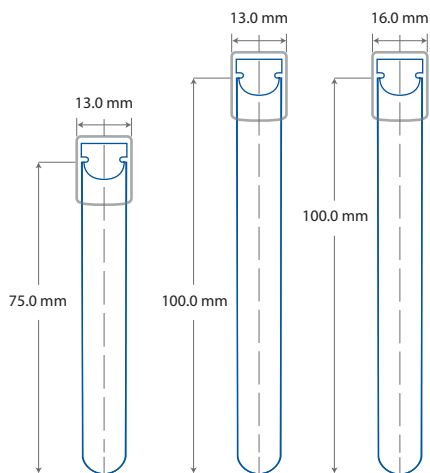
Gel & Clot Activator Blood Collection Tubes are intended to be used in laboratory for drug monitoring, serum biochemistry & serum immunology tests.

MATERIAL

Tubes manufactured using transparent PET or Glass. Caps manufactured using polyethylene. and sometimes using rubber cap as the customer need

DESCRIPTION

Vacuum tube with Golden color coded safety cap supported with piston rubber to seal. Tubes Either Sterile by Gamma Radiation or Non Sterile, tubes are available in different size.



Product Code	Tube Material	Draw Volume (mL)	Tube Size (mm)	Pieces per Rack	Pieces per Box
FV08001	Glass	1 ml	13x50	100	2000
FV08002	PET	3 ml	13x75	100	1200
FV08003	Glass	3 ml	13x75	100	1200
FV08004	PET	4 ml	13x95	100	1200
FV08005	Glass	4 ml	13x95	100	1200
FV08006	PET	6 ml	13x100	100	1200
FV08007	Glass	6 ml	13x100	100	1200
FV08008	PET	8 ml	16x100	50	1200
FV08009	Glass	8 ml	16x100	50	1200
FV08010	PET	5 ml	13x100	100	1200
FV08011	PET	7 ml	16x100	50	1200
FV08013	D.W	1 ml	13x75	100	1200
FV08014	D.W	0.5 ml	13x75	100	1200
FV08015	PET	2.5ml	13x75	100	1200
FV08016	PET	1 ml	13x75	100	1200

** PET tube always sterile

Vacuum Blood Collection Tubes

Lithium Heparin Tubes

INTENDED USE

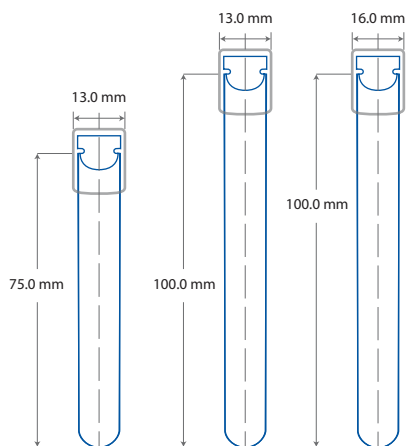
Lithium Heparin blood collection tubes intended to be used for special chemistry which require heparinized plasma or whole blood for analysis.

MATERIAL

Tubes manufactured using transparent PET** or Glass. Caps manufactured using polyethylene. and sometimes using rubber cap as the customer need

DESCRIPTION

Vacuum tube with Green color coded safety cap supported with piston rubber to seal. The tube contains lithium heparin as anticoagulant. Tubes Either Sterile by Gamma Radiation or Non Sterile, tubes are available in different size.



Product Code	Tube Material	Draw Volume (mL)	Tube Size (mm)	Pieces per Rack	Pieces per Box
FV09001	PET	2 ml	13x75	100	1200
FV09002	PET	3 ml	13x75	100	1200
FV09003	PET	4 ml	13x75	100	1200
FV09004	Glass	4 ml	13x75	100	1200
FV09005	PET	5 ml	13x100	100	1200
FV09006	PET	6 ml	13x100	100	1200
FV09007	PET	8 ml	16x100	50	1200
FV09009	PET	5 ml	13x100	100	1200
FV09010	Glass	6 ml	13x100	100	1200
FV09011	PET	4 ml	13x75	100	1200
FV09012	PET	2 ml	13x75	100	1200
FV09013	PET	8 ml	16x100	50	1200
FV09014	PET	7 ml	13x75	100	1200
FV09015	PET	10 ml	16x100	50	1200
FV09017	PET	5 ml	13x100	100	1200
FV09018	PET	9 ml	16x100	50	1200
FV09019	PET	9 ml	16x100	50	1200
FV09020	Glass	0.5 ml	13x50	100	1200
FV09021	Glass	1 ml	13x50	100	2000
FV09022	PET	4 ml	16x100	50	1200
FV09023	D.W	0.5 ml	13x75	100	1200
FV09024	D.W	1 ml	13x75	100	1200

* Vacuum Blood Collection Tube Lithium Heparin With Gel 4 ml, PET
 ** PET tube always sterile

Vacuum Blood Collection Tubes

Plain Without Additives Tubes

INTENDED USE

Plain Without Additives Blood Collection Tubes are intended to be used in laboratory mainly for biochemistry, immunological & serological tests.

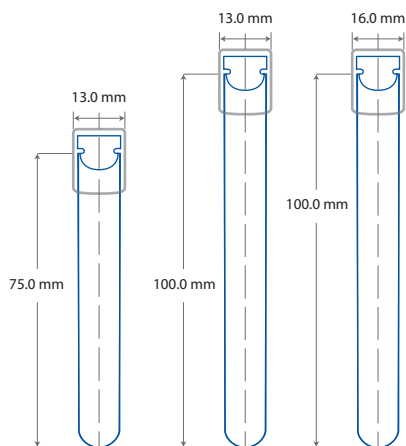
MATERIAL

Tubes manufactured using transparent PET or Glass. Caps manufactured using polyethylene.



DESCRIPTION

Vacuum tube with Red color coded safety cap supported with piston rubber to seal. Tubes Either Sterile by Gamma Radiation or Non Sterile, tubes are available in different size.



Product Code	Tube Material	Draw Volume (mL)	Tube Size (mm)	Pieces per Rack	Pieces per Box
FV10001	PET	4 ml	13x75	100	1200
FV10002	Glass	4ml	13x100	100	1200
FV10003	PET	8 ml	16x100	50	1200
FV10004	Glass	8 ml	16x100	50	1200
FV10005	PET	10 ml	16x100	50	1200
FV10006	Glass	10 ml	16x100	50	1200
FV10007	Glass	10 ml	16x100	50	1200
FV10008	PET	9 ml	16x100	50	1200
FV10009	PET	5 ml	13x100	100	1200
FV10010	Glass	9 ml	16x100	50	1200
FV10011	PET	3 ml	13x75	100	1200
FV10012	PET	10 ml	16x100	50	1200
FV10013	PET	7 ml	13x100	100	1200

** PET tube always sterile

Vacuum Blood Collection Tubes

Sodium Citrate Tubes

INTENDED USE

Sodium Citrate Blood Collection Tubes intended to be used for examination Plasma for Coagulation studies such as PT , PTT and fibrinogen.

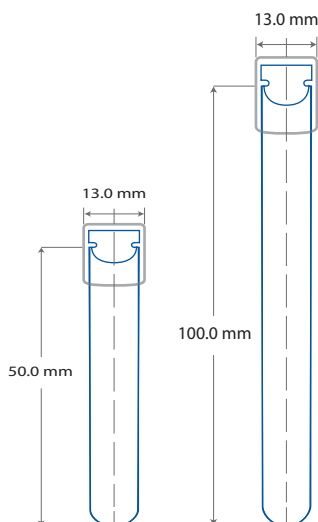
MATERIAL

Tubes manufactured using transparent PET or Glass. Caps manufactured using polyethylene. and sometimes using rubber cap as the customer need



DESCRIPTION

Vacuum tube " Plastic (we use Double Wall tube PET to prevent dehydration of Sodium Citrate solution inside) or Glass with blue color coded safety cap supported with piston rubber to seal, concentration of sodium citrate anticoagulant in the tube is 3 . 8 % or 3.2% depend on customer reqiurment, preperation of blood and anticoagulant in the tube is controlled as 1 : 9 strickly . Tubes Either Sterile by Gamma Radiation or Non Sterile , tubes are available in different size.



Product Code	Tube Material	Draw Volume (mL)	Tube Size (mm)	Pieces per Rack	Pieces per Box
FV03001	Glass	1 ml	13x50	100	1200
FV03002	Glass	2 ml	13x75	100	1200
FV03003	D.W	2 ml	13x75	100	1200
FV03004	D.W	3 ml	13x75	100	1200
FV03005	Glass	4 ml	13x75	100	1200
FV03006	D.W	1.8 ml	13x75	100	1200
FV03007	PET	2 ml	13x75	100	1200
FV03008	D.W	4 ml	13x75	100	1200
FV03009	PET	4.5 ml	13x75	100	1200
FV03010	PET	4ml	13x75	100	1200
FV03011	PET	9 ml	16x100	50	1200
FV03012	PET	5 ml	16x100	50	1200
FV03013	PET D.W	2.7 ml	13x75	100	1200
FV03017	PET	6 ml	16x100	50	1200
FV03020	PET D.W	8 ml	16x100	50	1200
FV03022	PET	8 ml	16x100	50	1200
FV03023	PET	3 ml	13x75	100	1200
FV03024	PET	1.8 ml	13x75	100	1200
FV03025	Glass	1.8 ml	13x75	100	1200
FV03026	Glass	3 ml	13x75	100	1200
FV03027	D.W	0.5 ml	13x75	100	1200
FV03028	D.W	1 ml	13x75	100	1200

** PET tube always sterile

Vacuum Blood Collection Tubes

Sodium Heparin Tubes

INTENDED USE

Heparin Blood Collection Tubes are intended to be used for analysis of blood withdrawn from patients under anticoagulant therapy. The anticoagulant heparin activates antithrombin, thus blocking the coagulation cascade and producing a whole blood / plasma sample making it ideal for the analysis.

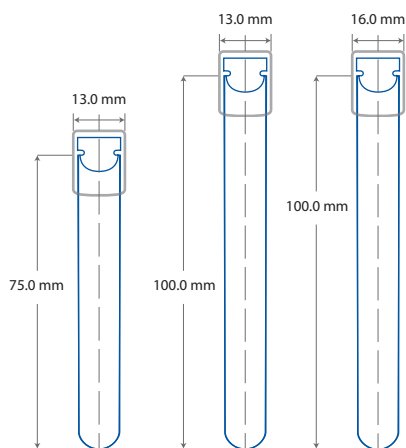
MATERIAL

Tubes manufactured using transparent PET or Glass. Caps manufactured using polyethylene. and sometimes using rubber cap as the customer need



DESCRIPTION

Vacuum tube with light green color coded safety cap supported with piston rubber to seal, Tubes Either Sterile by Gamma Radiation or Non Sterile , tubes are available in different size.



Product Code	Tube Material	Draw Volume (mL)	Tube Size (mm)	Pieces per Rack	Pieces per Box
FV05001	PET	2 ml	13x75	100	1200
FV05002	PET	3 ml	13x75	100	1200
FV05003	PET	6 ml	13x100	100	1200
FV05004	PET	9 ml	16x100	50	1200
FV05005	Glass	2 ml	13x75	100	1200
FV05006	Glass	3 ml	13x75	100	1200
FV05007	Glass	6 ml	13x100	100	1200
FV05008	Glass	9 ml	16x100	50	1200
FV05009	PET	4 ml	13x75	100	1200
FV05010	PET	5 ml	13x100	100	1200
FV05011	PET	7 ml	16x100	50	1200
FV05012	PET	10 ml	16x100	50	1200

** PET tube always sterile

Non-Vacuum Blood Collection Tubes

Introduction

Non-vacuum blood collection tubes, also known as gravity-fill tubes or open system tubes, play a crucial role in the field of medical diagnostics by facilitating the collection and preservation of blood specimens for various laboratory analyses. Unlike vacuum tubes, which rely on a vacuum-sealed system to draw blood into the tube, non-vacuum tubes rely on gravity to allow blood to flow into the collection vessel.

These tubes are designed with an open-end, allowing healthcare professionals to manually control the blood flow during the collection process. The absence of a vacuum simplifies the collection procedure, making it a versatile option for a range of applications, including routine blood tests, specialized diagnostic assays, and research studies.



Screw Capped Blood Collection Tubes

- Screw Clot Activator Tubes.
- Screw EDTA K2 Tubes.
- Screw EDTA K3 Tubes.
- Screw Fluoride Oxalate Tubes.
- Screw GEL & CLOT Activator Tubes.
- Screw Lithium Heparin Tubes.
- Screw Plain Without Additives Tubes.



Screw Capped Blood Collection Tubes

Clot Activator Tubes

INTENDED USE

Plain Clot Activator Blood Collection intended to be used in laboratory for drug monitoring, serum biochemistry & serum immunology tests.

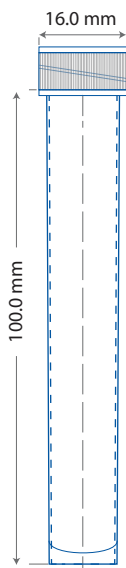
MATERIAL

Tube manufactured using Polypropylene or Polystyrene. Red Cap manufactured using low density Polyethylene.



FEATURES

- Leak-proof.
- Fixed label indicating the blood volume to be drawn.
- Free rack available.
- Instructions for use available on each carton.
- Red color-coded in accordance to international standards.



Product Code	Tube Material	Draw Volume (mL)	Tube Size (mm)	Pieces per Rack	Pieces per Box
FS07001	PP	10 ml	16x100	100	1200
FS07002	PS	10 ml	16x100	100	1200

Screw Capped Blood Collection Tubes

EDTA K2 Tubes

INTENDED USE

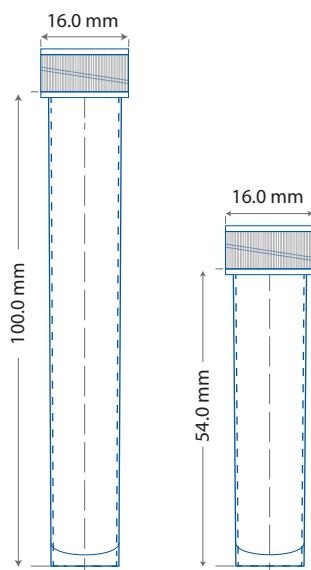
Used for blood testing and analysis in hematology laboratory.

MATERIAL

Tube manufactured using Polypropylene.
 Pink Cap manufactured using low density Polyethylene.

FEATURES

- Leak-proof.
- Fixed label indicating the blood volume to be drawn.
- Free rack available.
- Instructions for use available on each carton.
- Pink Color-coded in accordance to international standards.



Product Code	Tube Material	Draw Volume (mL)	Tube Size (mm)	Pieces per Rack	Pieces per Box
FS02001	PP	2.5 ml	16x54	50	1000
FS02002	PP	10 ml	16x100	50	600
FS02003	PP	4 ml	16x100	50	600
FS02004	PP	5 ml	16x100	50	600
FS02005	PP	3 ml	16x100	50	600

Screw Capped Blood Collection Tubes

EDTA K3 Tubes

INTENDED USE

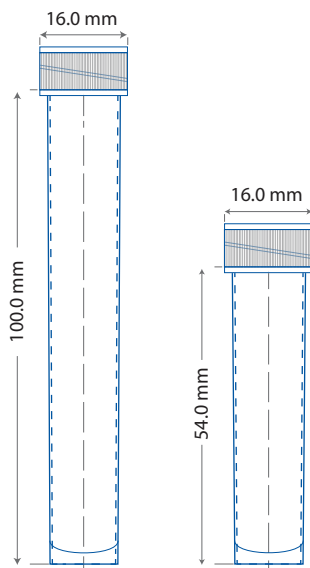
Used for blood testing and analysis in hematology laboratory.

MATERIAL

Tube manufactured using Polypropylene.
 Pink Cap manufactured using low density Polyethylene.

FEATURES

- Leak-proof.
- Fixed label indicating the blood volume to be drawn.
- Free rack available.
- Instructions for use available on each carton.
- Pink Color-coded in accordance to international standards.



Product Code	Tube Material	Draw Volume (mL)	Tube Size (mm)	Pieces per Rack	Pieces per Box
FS01001	PP	2.5 ml	16x54	50	
FS01002	PP	10 ml	16x100	50	
FS01003	PP	2.54 ml	16x54	100	
FS01004	PP	5 ml	16x100	50	

* In Bag

Screw Capped Blood Collection Tubes

Fluoride Oxalate Tubes

INTENDED USE

Fluoride Oxalate Blood Collection Tubes are intended to be used for specially glucose blood tests.

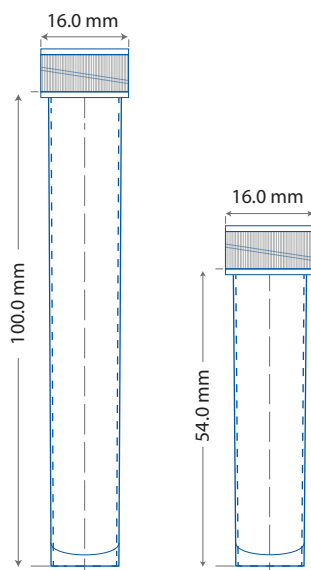
MATERIAL

Tube manufactured using Polypropylene.
 Yellow Cap manufactured using low density Polyethylene.



FEATURES

- Leak-proof.
- Fixed label indicating the blood volume to be drawn.
- Free rack available.
- Instructions for use available on each carton.
- Yellow color-coded in accordance to international standards.



Product Code	Tube Material	Draw Volume (mL)	Tube Size (mm)	Pieces per Rack	Pieces per Box
FS06001	PP	2.5 ml	16x54	50	1000
FS06002	PP	10 ml	16x100	50	600
FS06003	PP	2.5 ml	16x54	100	1000

* In Bag

Screw Capped Blood Collection Tubes

GEL & CLOT Activator Tubes

INTENDED USE

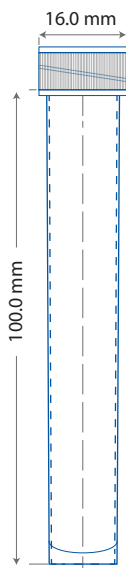
Gel & Clot Activator Blood Collection Tubes are intended to be used in laboratory for drug monitoring, serum biochemistry & serum immunology tests.

MATERIAL

Tube manufactured using Polypropylene or Polystyrene. Golden Cap manufactured using low density Polyethylene.

FEATURES

- Leak-proof.
- Fixed label indicating the blood volume to be drawn.
- Free rack available.
- Instructions for use available on each carton.
- Golden color-coded in accordance to international standards.



Product Code	Tube Material	Draw Volume (mL)	Tube Size (mm)	Pieces per Rack	Pieces per Box
FS08001	PP	10 ml	16x100	100	1200
FS08002	PS	10 ml	16x100	100	1200

Screw Capped Blood Collection Tubes

Lithium Heparin Tubes

INTENDED USE

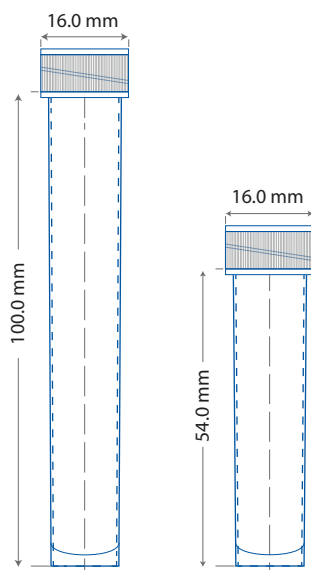
Lithium Heparin blood collection tubes intended to be used for special chemistry which require heparinized plasma or whole blood for analysis.

MATERIAL

Tube manufactured using Polypropylene.
Green Cap manufactured using low density Polyethylene.

FEATURES

- Leak-proof.
- Fixed label indicating the blood volume to be drawn.
- Free rack available.
- Instructions for use available on each carton.
- Green or orange color-coded in accordance to international standards.



Product Code	Tube Material	Draw Volume (mL)	Tube Size (mm)	Pieces per Rack	Pieces per Box
FS09001	PP	2.5 ml	16x54	50	1000
FS09002	PP	7 ml	16x100	50	600
FS09003	PP	10 ml	16x100	50	600
FS09004	PP	2.5 ml	16x54	50	600
FS09005	PP	2.5 ml	16x54	100	1000

* Orange Cup
* Orange cup in Bags

Screw Capped Blood Collection Tubes

Plain Without Additives Tubes.

INTENDED USE

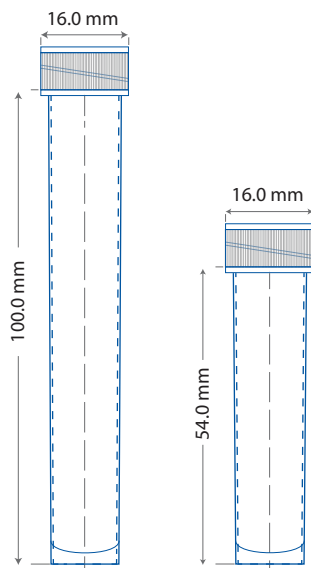
Plain Without Additives Blood Collection Tubes are intended to be used in laboratory mainly for biochemistry, immunological & serological tests.

MATERIAL

Tube manufactured using Polypropylene or Polystyrene. White Cap manufactured using low density Polyethylene.

FEATURES

- Leak-proof.
- Fixed label indicating the blood volume to be drawn.
- Free rack available.
- Instructions for use available on each carton.
- Color-coded in accordance to international standards.



Product Code	Tube Material	Draw Volume (mL)	Tube Size (mm)	Pieces per Rack	Pieces per Box
FS10001	PP	5 ml	16x54	200	1000
FS10002	PP	10 ml	16x100	100	2000
FS10004*	PP	5 ml	16x54	200	1000
FS10003	PS	10 ml	16x100	100	2000

* Screw Capped Blood Collection Tube Plain Withou Additives 5 ml,PP White Tube

Push Capped Blood Collection Tubes

- Push Capped Clot Activator Tubes
 - Push Capped EDTA K2 Tubes
 - Push Capped EDTA K3 Tubes
 - Push Capped Fluoride Oxalate Tubes
 - Push Capped GEL & CLOT Activator Tubes
 - Push Capped Lithium Heparin Tubes
 - Push Capped Plain Without Additives Tubes
 - Push Capped Sodium Citrate Tubes
 - Push Capped ESR Tubes
-



Push Capped Blood Collection Tubes

Clot Activator Tubes

INTENDED USE

Plain Clot Activator Blood Collection intended to be used in laboratory for drug monitoring, serum biochemistry & serum immunology tests.

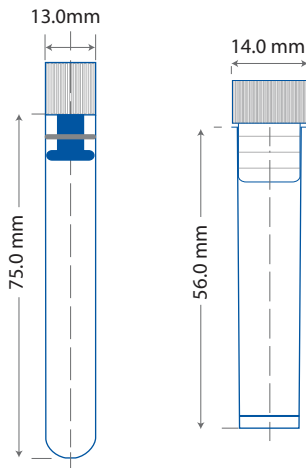
MATERIAL

Tube manufactured using Polypropylene.
Red Cap manufactured using low density Polyethylene.



FEATURES

- Leak-proof.
- Fixed label indicating the blood volume to be drawn.
- Free rack available.
- Instructions for use available on each carton.
- Red color-coded in accordance to international standards.



Product Code	Tube Material	Draw Volume (mL)	Tube Size (mm)	Pieces per Rack	Pieces per Box
FP07001	PP	1 ml	14x56	50	1500
FP07002	PP	4 ml	14x56	100	1200
FP07003	PP&PET	1 ml	14x56	100	1200

Push Capped Blood Collection Tubes

EDTA K2 Tubes

INTENDED USE

Used for blood testing and analysis in hematology laboratory.

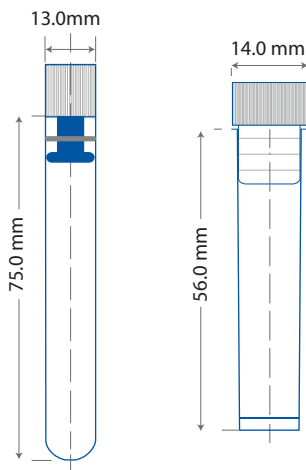
MATERIAL

Tube manufactured using Polypropylene.
Cap manufactured using low density Polyethylene.



FEATURES

- Leak-proof.
- Fixed label indicating the blood volume to be drawn.
- Free rack available.
- Instructions for use available on each carton.
- Color-coded in accordance to international standards.



Product Code	Tube Material	Draw Volume (mL)	Tube Size (mm)	Pieces per Rack	Pieces per Box
FP02001	PP	0.5 ml	10x44	100	1800
FP02002	PP	1 ml	10x44	100	1800
FP02003	PP	1 ml	14x56	50	1500
FP02004	PP	2 ml	14x56	50	1500
FP02005	PP	2.5 ml	14x56	50	1500
FP02006	PP	4 ml	13x75	100	1200
FP02007	PP	9 ml	16x100	100	1200
FP02008	PP&PET	1 ml	13x75	100	1200
FP02009	PET	4 ml	13x75	100	1200

*For reserchs

**Phosphoric cap italy design

Push Capped Blood Collection Tubes

EDTA K3 Tubes

INTENDED USE

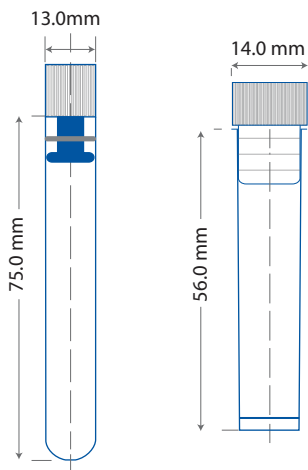
Used for blood testing and analysis in hematology laboratory.

MATERIAL

Tube manufactured using Polypropylene.
Cap manufactured using low density Polyethylene.

FEATURES

- Leak-proof.
- Fixed label indicating the blood volume to be drawn.
- Free rack available.
- Instructions for use available on each carton.
- Color-coded in accordance to international standards.



Product Code	Tube Material	Draw Volume (mL)	Tube Size (mm)	Pieces per Rack	Pieces per Box
FP01001	PP	0.5 ml	10x44	100	1200
FP01002	PP	1 ml	10x44	100	1200
FP01003	PP	1 ml	10x56	50	1200
FP01004	PP	2 ml	10x56	50	1200
FP01005	PP	2.5 ml	10x56	50	1200
FP01006	PP	2.5 ml	10x56	50	1200
FP01007	PP	4 ml	13x75	100	1200
FP01008	PP	2.5 ml	13x75	100	1200
FP01009	Glass	2 ml	13x75	100	1200
FP01010	PP&PET	0.5 ml	13x75	100	1200
FP01011	PET	4 ml	13x75	100	1200
FP01012	PET	2.5 ml	13x75	100	1200
FP01013	PP&PET	1 ml	13x75	100	1200

Push Capped Blood Collection Tubes

Fluoride Oxalate Tubes

INTENDED USE

Fluoride Oxalate Blood Collection Tubes are intended to be used for venous blood collection for the determination of glucose and lactate in capillary blood.

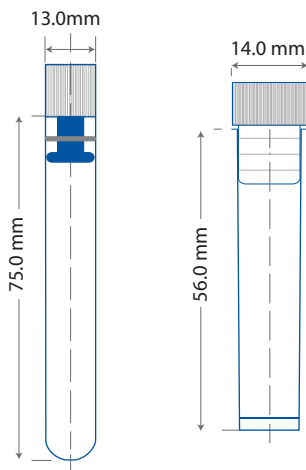
MATERIAL

Tube manufactured using Polypropylene.
 Gray Cap manufactured using low density Polyethylene.



FEATURES

- Leak-proof.
- Fixed label indicating the blood volume to be drawn.
- Free rack available.
- Instructions for use available on each carton.
- Gray color-coded in accordance to international standards.



Product Code	Tube Material	Draw Volume (mL)	Tube Size (mm)	Pieces per Rack	Pieces per Box
FP06001	PP	0.5 ml	10x44	100	1800
FP06002	PP	1 ml	10x44	100	1800
FP06003	PP	2.5 ml	14x56	50	1500
FP06004	PP	3 ml	13x75	100	1200

Push Capped Blood Collection Tubes

Gel & Clot Activator Tubes

INTENDED USE

Gel & Clot Activator Blood Collection Tubes are intended to be used in laboratory for drug monitoring, serum biochemistry & serum immunology tests.

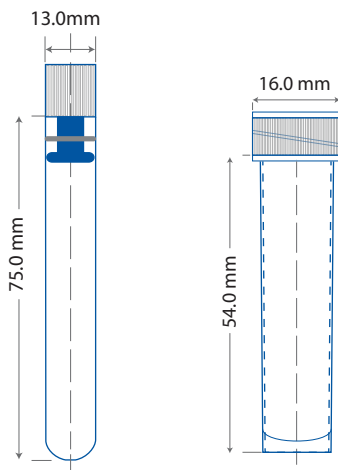
MATERIAL

Tube manufactured using Polypropylene.
Golden Cap manufactured using low density Polyethylene.



FEATURES

- Leak-proof.
- Fixed label indicating the blood volume to be drawn.
- Free rack available.
- Instructions for use available on each carton.
- Yellow color-coded in accordance to international standards.



Product Code	Tube Material	Draw Volume (mL)	Tube Size (mm)	Pieces per Rack	Pieces per Box
FP08001	PP	1 ml	10x44	100	1800
FP08002	PP	8 ml	16x100	50	1200
FP08003	PET	4 ml	13x75	100	2000
FP08004	PP & PET	1 ml	13x75	100	1200

Push Capped Blood Collection Tubes

Lithium Heparin Tubes

INTENDED USE

Lithium Heparin blood collection tubes intended to be used for special chemistry which require heparinized plasma or whole blood for analysis.

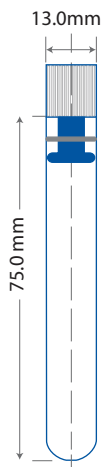
MATERIAL

Tube manufactured using Polypropylene or Polyethylene terephthalate (PET).
Green Cap manufactured using low density Polyethylene.



FEATURES

- Leak-proof.
- Fixed label indicating the blood volume to be drawn.
- Free rack available.
- Instructions for use available on each carton.
- Green color-coded in accordance to international standards.



Product Code	Tube Material	Draw Volume (mL)	Tube Size (mm)	Pieces per Rack	Pieces per Box
FP09001	PP	0.5 ml	10x44	100	1800
FP09002	PP	1 ml	10x44	100	1200
FP09003	PP	4 ml	13x75	100	1200
FP09004	PET	5 ml	13x100	100	1200
FP09005	PP	9 ml	16x100	100	1200
FP09006	PET	2 ml	13x75	100	1200
FP09007	PP	2 ml	13x75	100	1200
FP09008	PP	6 ml	16x100	100	1200
FP09009	PP&PET	4 ml	13x75	100	1200
FP09010	PP&PET	1 ml	13x75	100	1200
FP09011	PP&PET	0.5 ml	13x75	100	1200

Push Capped Blood Collection Tubes

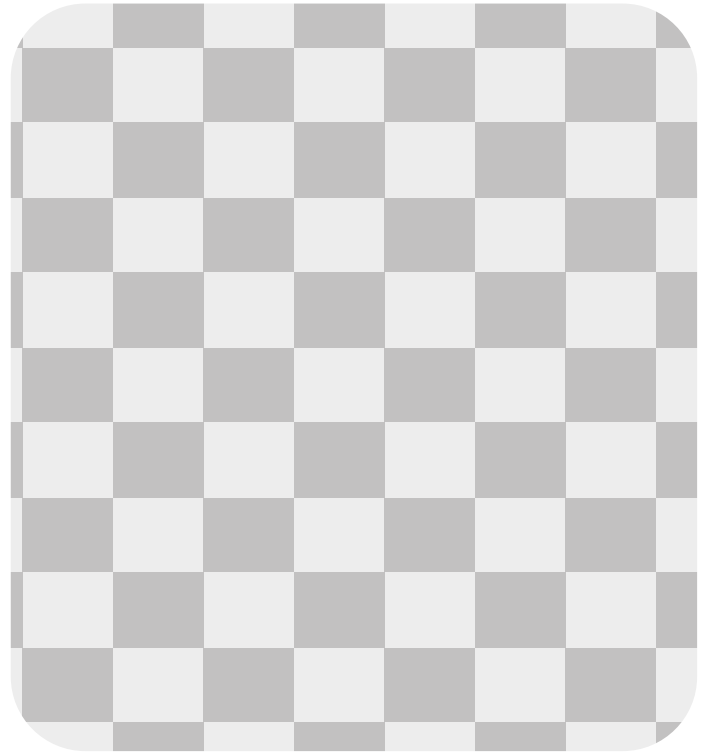
Plain Without Additives Tubes

INTENDED USE

Plain Without Additives Blood Collection Tubes are intended to be used in laboratory mainly for biochemistry, immunological & serological tests.

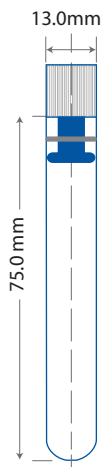
MATERIAL

Tube manufactured using Glass. Brown Rubber Cap. Or red color cap



FEATURES

- Leak-proof.
- Fixed label indicating the blood volume to be drawn.
- Free rack available.
- Instructions for use available on each carton.
- Color-coded in accordance to international standards.



Product Code	Tube Material	Draw Volume (mL)	Tube Size (mm)	Pieces per Rack	Pieces per Box
FP10001	Glass	10 ml	16x100	50	1200
FP10002	PP&PET	1 ml	13x75	100	1200
FP10003	PP&PET	0.5 ml	13x75	100	1200

Push Capped Blood Collection Tubes

Sodium Citrate Tubes

INTENDED USE

Used for coagulation tests.

MATERIAL

Tube manufactured using Polypropylene.
 Blue Cap manufactured using low density Polyethylene.



FEATURES

- Leak-proof.
- Fixed label indicating the blood volume to be drawn.
- Free rack available.
- Instructions for use available on each carton.
- Blue color-coded in accordance to international standards.



Product Code	Tube Material	Draw Volume (mL)	Tube Size (mm)	Pieces per Rack	Pieces per Box
FP03001	PP	0.5 ml	10x44	100	1800
FP03002	PP	1 ml	10x44	100	1800
FP03003	PP	2 ml	13x75	100	1200
FP03004	Glass	2 ml	13x75	100	1200
FP03005	PP	4 ml	13x75	100	1200
FP03006	Glass	4 ml	13x75	100	1200
FP03007	PET	2 ml	13x75	100	1200
FP03008	PET	2 ml	13x75	100	1200
FP03009	PET	12 ml	16x120	100	1200

Push Capped Blood Collection Tubes

ESR Tubes

INTENDED USE

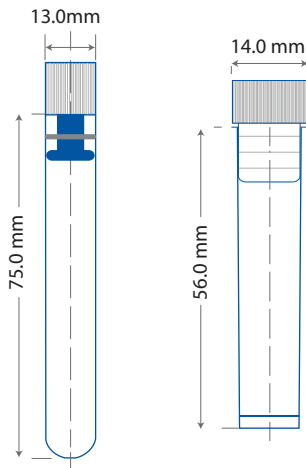
ESR Blood Collection Tubes are intended to be exclusively used for venous blood collection for determination of the Erythrocyte Sedimentation Rate.

MATERIAL

Tube manufactured using Polypropylene.
Light Orange Cap manufactured using low density Polyethylene.

FEATURES

- Leak-proof.
- Fixed label indicating the blood volume to be drawn.
- Free rack available.
- Instructions for use available on each carton.
- Color-coded in accordance to international standards.



Product Code	Tube Material	Draw Volume (mL)	Tube Size (mm)	Pieces per Rack	Pieces per Box
FP04001	Glass	2 ml	13x75	100	1200
FP04002*	PP	ESR/Coagulation	13x75	100	1200
FP04003	PP	1 ml	14x49	50	1000

Transport Swab Products

Introduction

Lorem ipsum dolor sit amet, consectetur adipiscing elit, sed diam nonummy nibh euismod tincidunt ut laoreet dolore magna aliquam erat volutpat. Ut wisi enim ad minim veniam, quis nostrud exerci tation ullamcorper suscipit lobortis nisl ut aliquip ex ea commodo consequat. Duis autem vel eum iriure dolor in Ut wisi enim ad minim veniam, quis nostrud exerci tation ullamcorper suscipit lobortis nisl ut aliquip ex ea commodo consequat. Duis autem vel eum iriure dolor in Ut wisi enim ad minim veniam, quis nostrud exerci tation ullamcorper suscipit lobortis nisl ut aliquip ex ea commodo consequat. Duis autem vel eum iriure dolor in



Transport Swab Products

Transport Swab - Without Media

Amies Transport Medium Tube/Tubes

Cary Blair Transport Medium Tube



Transport Swab Products

Transport Swab - Without Media

INTENDED USE

For collection & transport of laboratory specimens from collection site to the testing laboratory.

MATERIAL

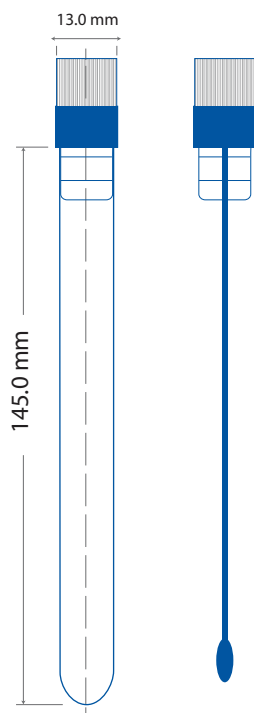
Transparent polypropylene plastic tube round bottom packed in a zipper bag and sterilized by Gamma radiation or EO.

Red or blue Polyethylene cap specially designed to close hermetically.



FEATURES

- Leak-proof.
- Fixed label.
- Sterile by Gamma or E.O.
- Cotton wooden / plastic stick inside.



Product Code	Material	Stick	Stick Length	Tube Size (mm)	Pieces per Bag	Pieces per Box
FT17003	PP	Wooden Stick	150x3	13x145	100	1000
FT17004	PP	Plastic Stick	150x3	13x145	100	1000
FT17009	PP	Wooden Stick	150x3	13x145	100	1000
FT17010		Plastic Stick	150x3		100	1200
FT17011		Wooden Stick	150x3		100	3000
FT17012	PP	Plastic Stick	150x3	13x145	100	1000

Transport Swab Products

Amies Transport Medium Tube

INTENDED USE

Amies Transport medium is used for the collection and transport of clinical specimens containing aerobes, anaerobes and fastidious bacteria possibly exist in nose throat nasopharyngeal and skin from the collection site to the testing laboratory.

MATERIAL

The tube is made of polypropylene plastic with round bottom. Red Polyethylene cap specially designed to close hermetically.



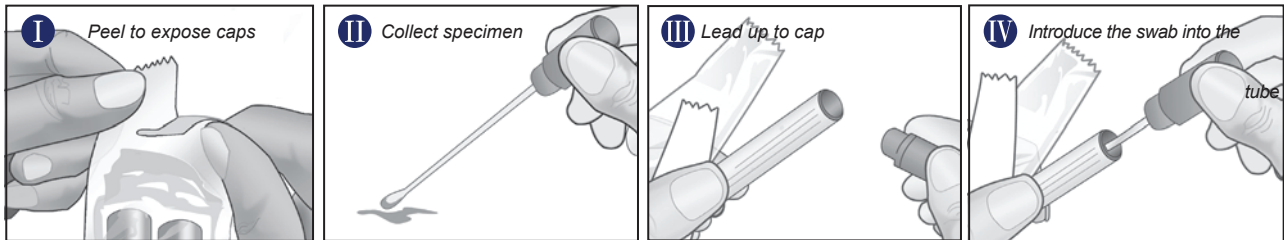
FEATURES

Amies Transport Medium w/ & w/o Charcoal consists of a medium tube packed in a peel-off Blister pack and sterilized by radiation. Polyethylene cap specially designed to close hermetically; non slippery surface when using gloves. The medium contains sodium chloride in a concentration of 0.3% for optimal preservation of inoculated sample. Potassium, calcium & magnesium salts serve to maintain osmotic equilibrium by controlling the permeability of bacterial cells. Phosphate buffer maintain the pH of the medium. Sodium Thioglycollate & Agar provide a reduced environment favorable to a variety of bacteria. Charcoal neutralizes metabolic products toxic to gonococci & remove the need for using charcoal impregnated swabs.

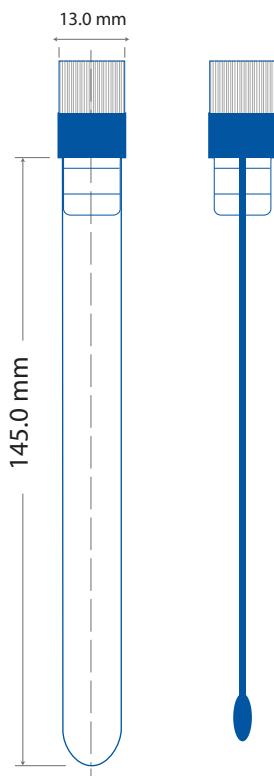
Transport Swab Products

Amies Transport Medium Tube

Convenient Use



- When the swab sample is processed inside a protective safety cabinet or protective hood, all aseptic techniques have to be carried out.
- Great care should be taken in detaching the applicator stick from the tube to eliminate any risk of splashes or aerosols.
- The used tubes and swabs must be disposed of according to laboratory regulations for infectious waste.



Product Code	Material	Stick	Stick Length	Tube Size (mm)	Pieces per Rack	Pieces per Box
FT18004	PP	Wooden Stick	150x3	13x145	20	600
FT18007	PP	Wooden Stick	150x3	13x145	20	600

Transport Swab Products

Cary Blair Transport Medium Tube

INTENDED USE

Cary Blair Transport Medium is recommended for use in the transportation & preservation of clinical specimens primarily stool & rectal swab.

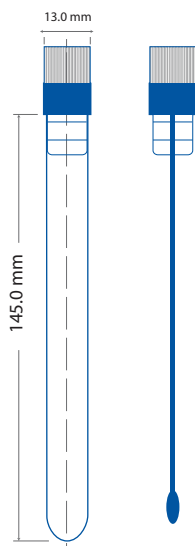
MATERIAL

The tube is made of polypropylene plastic with round bottom. Red Polyethylene cap specially designed to close hermetically.



FEATURES

Cary Blair Transport Medium tube consists of a medium tube packed in a peel-off Blister pack and sterilized by radiation. Polyethylene cap specially designed to close hermetically; non slippery surface when using gloves. The medium contains sodium chloride for optimal preservation of inoculated sample. Sodium Thioglycollate & Agar provide a reduced environment favorable to a variety of bacteria. Disodium phosphate work as buffering agent to prevent overgrowth of enteric pathogens. Calcium salts serve to maintain osmotic equilibrium by controlling the permeability of bacterial cells.



Product Code	Material	Stick	Stick Length	Tube Size (mm)	Pieces per Bag	Pieces per Box
FT18002	PP	Plastic Stick	150x3	13x145	20	1200

Petri Dishes Products

Introduction

Lorem ipsum dolor sit amet, consectetur adipiscing elit, sed diam nonummy nibh euismod tincidunt ut laoreet dolore magna aliquam erat volutpat. Ut wisi enim ad minim veniam, quis nostrud exerci tation ullamcorper suscipit lobortis nisl ut aliquip ex ea commodo consequat. Duis autem vel eum iriure dolor in Ut wisi enim ad minim veniam, quis nostrud exerci tation ullamcorper suscipit lobortis nisl ut aliquip ex ea commodo consequat. Duis autem vel eum iriure dolor in Ut wisi enim ad minim veniam, quis nostrud exerci tation ullamcorper suscipit lobortis nisl ut aliquip ex ea commodo consequat. Duis autem vel eum iriure dolor in



Petri Dishes Products

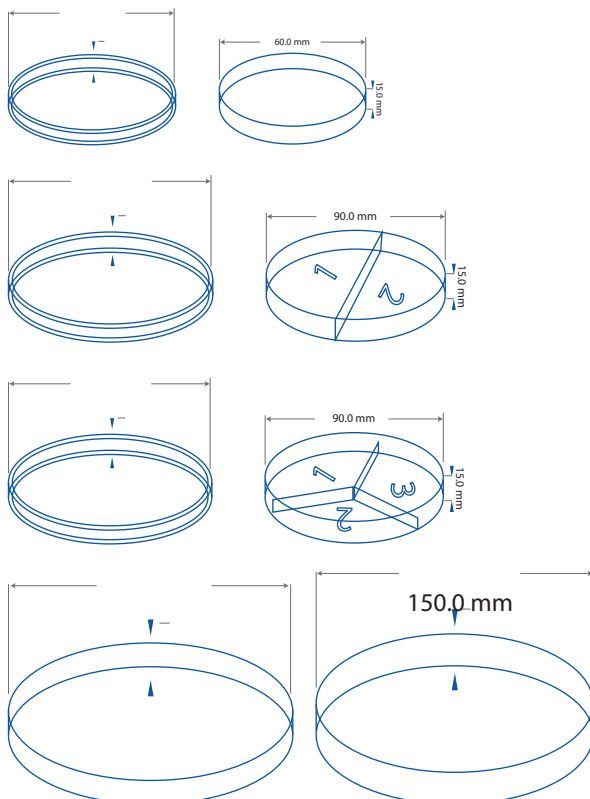
Petri-Dishes

INTENDED USE

Petri Dishes uses are varied, but it mostly used for holding a culture medium upon which cells, bacteria, fungus & viruses can be grown & studied.

Description

Polystyrene plastic shallow rounded dish with a close fitting lid” cover” with 3 vents, in different sizes. The dishes collected in tightly sealed plastic bags “20 dishes in each bag” to protect it from exposure to the external environment sterile by gama radn or E.O.



Product Code	Diameter (mm)	Draw Volume (mL)	Number of Rooms	Pieces per Rack	Pieces per Box
FC12001	60x15	PS	1 Room	20	1000
FC12002	90x15	PS	1 Room	20	480
FC12003	90x15	PS	2 Room	20	480
FC12004	90x15	PS	3 Room	10	500
FC12005	150	PS	1 Room	1	175

Containers Products

Introduction

Lorem ipsum dolor sit amet, consectetur adipiscing elit, sed diam nonummy nibh euismod tincidunt ut laoreet dolore magna aliquam erat volutpat. Ut wisi enim ad minim veniam, quis nostrud exerci tation ullamcorper suscipit lobortis nisl ut aliquip ex ea commodo consequat. Duis autem vel eum iriure dolor in Ut wisi enim ad minim veniam, quis nostrud exerci tation ullamcorper suscipit lobortis nisl ut aliquip ex ea commodo consequat. Duis autem vel eum iriure dolor in Ut wisi enim ad minim veniam, quis nostrud exerci tation ullamcorper suscipit lobortis nisl ut aliquip ex ea commodo consequat. Duis autem vel eum iriure dolor in



Containers Products

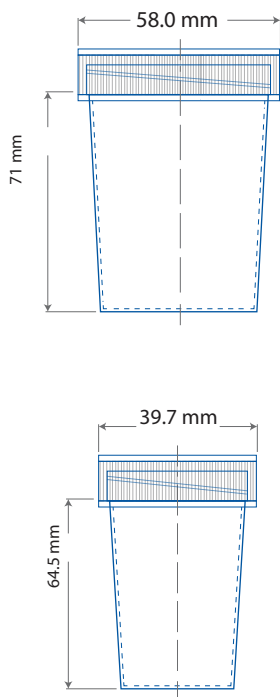
Urine Container

INTENDED USE

Urine Container are intended for collection, storage & transport of urine specimens.

DESCRIPTION

Transparent polypropylene plastic graduated cup with different capacity up to 120ml. The cup supported with High-density Polyethylene screw cap to prevent leakage Cups either sterile by Gamma Radiation or Non sterile according to the customer requirements. Cups either individually wrapped & labeled or Non according to the customer requirements. Cups are supported with frosted area for identification.



Product Code	Volume (ml)	Container Material	Cap Color	Individually Wrapped	Sterility	Label	Pieces per box
FC13001	60	PP	Red	NO	NO	NO	500
FC13002	60	PP	Red	YES	YES	YES	500
FC13003	60	PP	Red	YES	YES	YES	500
FC13004	60	PP	Red	YES	YES	YES	500
FC13005	60	PP	Red	YES	YES	YES	500
FC13006	60	PP	Red	YES	YES	YES	500
FC13007	120	PP	Red	YES	YES	YES	500
FC13008	120	PP	Red	NO	NO	NO	500
FC13009	120	PP	Red	NO	NO	NO	500
FC13010	120	PP	Red	YES	YES	YES	500
FC13011	120	PP	Red	NO	NO	NO	500
FC13012	120	PP	Red	YES	YES	YES	500
FC13013	120	PP	Red	YES	YES	YES	250
FC13014	120	PP	Red	YES	YES	YES	250
FC13015	120	PP	Red	YES	YES	YES	500
FC13016	120	PP	Red	YES	YES	YES	500
FC13017	120	PP	Red	YES	YES	YES	250
FC13018	120	PP	Red	NO	NO	NO	250
FC13019	60	PP	Red	NO	NO	NO	500
FC13020	120	PP	Red	YES	YES	YES	500
FC13021	120	PP	Red	NO	NO	NO	250
FC13022	120	PP	Red	YES	YES	YES	500
FC13023	120	PP	Red	YES	YES	YES	500
FC13024	120	PP	Red	YES	YES	YES	500
FC13025	120	PP	Red	YES	YES	YES	500

Containers Products

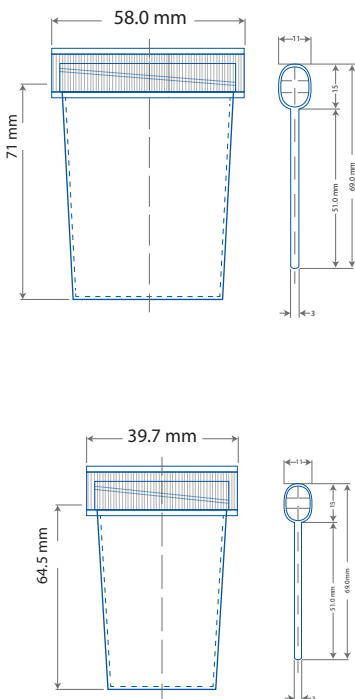
Stool Container

INTENDED USE

Stool container are intended for collection, storage & transport of stool specimens.

DESCRIPTION

White or transparent Polypropylene plastic cup with different capacity up to 120ml. The cup supported with High-density Polyethylene screw cap to prevent leakage. Cups either Sterile by Gamma Radiation or Non Sterile according to the customer requirements. Cups either individually wrapped or Non according to the customer requirements. Cups are supported with frosted area for identification. Cup either supported with plastic spoon or Non according to customer requirements.



Product Code	Volume (ml)	Container Material	Cap Color	Individually Wrapped	Sterility	Label	Pieces per box
FC14001	60	PP	Red	NO	NO	NO	500
FC14002	60	PP	Red	YES	YES	YES	500
FC14003	60	PP	Red	YES	YES	YES	500
FC14004	60	PP	Red	YES	YES	YES	500
FC14005	120	PP	Red	YES	YES	YES	500
FC14006	120	PP	Red	YES	YES	YES	500
FC14007	120	PP	Red	YES	YES	YES	500
FC14008	120	PP	Red	NO	NO	NO	500
FC14009	60	PP	Blue	NO	NO	NO	500
FC14010	60	PP	Transperant	YES	YES	YES	500
FC14011	60	PP	Blue	NO	NO	NO	500
FC14012	60	PP	Red	YES	YES	YES	500
FC14013	60	PP	Red	YES	YES	YES	250

Containers Products

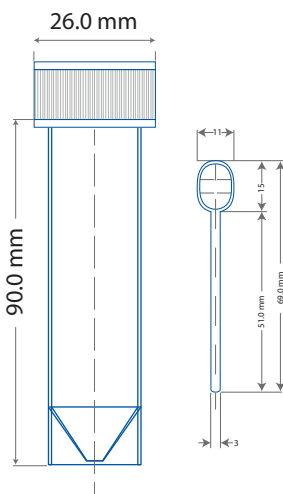
Universal Tube

INTENDED USE

Universal Tube are intended for collection, storage & transport of laboratory specimens like semen, urine & pediatric feces.

DESCRIPTION

Transparent polystyrene or polypropylene plastic tube with 30 ml capacity. The tube supported with High-density polyethylene screw cap to prevent leakage. Tubes either sterile by Gamma Radiation or Non sterile according to the customer requirements. Tubes either individually wrapped & labeled or Non according to the customer requirements. Tubes either supported with plastic spoon or Non according to customer requirements.



Product Code	Volume (ml)	Container Material	Cap Color	Individually Wrapped	Sterility	Label	Spoon	Pieces per box
FC15001	30 ml	PS	Blue	No	No	No	No	1000
FC15002	30 ml	PS	Blue	No	No	No	No	500
FC15003	30 ml	PS	Blue	Yes	Yes	Yes	Yes	1000
FC15004	30 ml	PS	Blue	Yes	Yes	Yes	Yes	1000
FC15005	30 ml	PS	Blue	No	No	No	No	1000
FC15006	30 ml	PS	Blue	No	No	No	No	1000
FC15007	30 ml	PS	Blue	No	No	No	No	1000
FC15008	30 ml	PS	Blue	No	No	No	No	1000
FC15009	30 ml	PS	Blue	No	No	No	No	500
FC15010	30 ml	PS	Blue	No	No	No	No	1000
FC15011	30 ml	PS	Blue	No	No	No	No	1000
FC15012	30 ml	PS	Blue	No	No	No	No	500
FC15013	30 ml	PS	Blue	No	No	No	No	500
FC15014	30 ml	PS	Blue	No	No	No	No	1000
FC15015	30 ml	PS	Blue	No	No	No	No	1000
FC15016	30 ml	PS	Blue	No	No	No	No	1000
FC15017	30 ml	PS	Blue	No	No	No	No	1000
FC15018	30 ml	PS	Blue	No	No	No	No	1000

Containers Products

Centrifuge Tube Conical

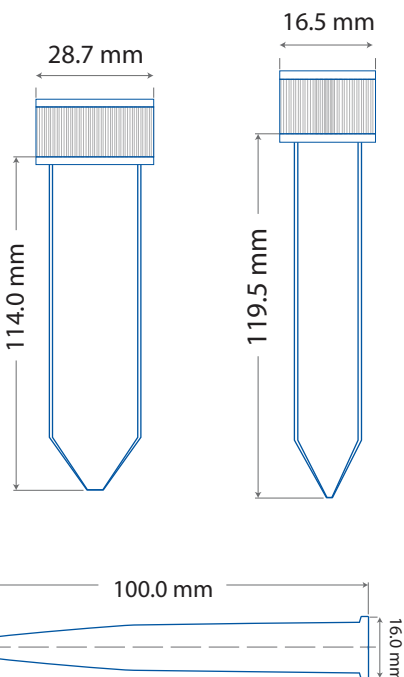
INTENDED USE

Centrifuge Tube Conical are intended for laboratory liquid specimens which required centrifugation with high speed.

DESCRIPTION

Transparent Polypropylene or polystyrene plastic graduated tube with different capacity up to 50ml, with or without cap. The tube supported with High-density Polyethylene screw cap to prevent leakage. Tubes either sterile by

Gamma Radiation or Non sterile according to the customer requirements. Tubes either individually wrapped or Non according to the customer requirements. Tubes are supported with Printed area for identification.



Product Code	Volume (ml)	Container Material	Cap Color	Individually Wrapped	Sterility	Label	Inner Pack	Pieces per box
FC16001	10 ml	PS	No	No	No	No	500/bag	2500
FC16002	10 ml	PP	No	No	No	No	500/bag	2500
FC16003	15 ml	PP	No	No	Yes	Yes	500/bag	1000
FC16004	15 ml	PP	Blue	No	Yes	Yes	100/bag	500
FC16005	15 ml	PP	Blue	Yes	No	No	No	1000
FC16006	15 ml	PP	Blue	Yes	No	No	50/rack	1000
FC16007	50 ml	PP	Blue	No	No	No	50/bag	500
FC16008	50 ml	PP	Blue	No	No	No	No	250
FC16009	50 ml	PP	Blue	No	No	No	No	500
FC16010	50 ml	PP	Blue	No	No	No	50/bag	500
FC16011	10 ml	PS	Blue	No	No	No	No	500
FC16012	15 ml	PP	Blue	No	No	No	25/rack	500
FC16013	15 ml	PP	Blue	No	No	No	100/bag	1000
FC16014	15 ml	PP	Blue	No	No	No	50/bag	500
FC16015	15 ml	PP	Blue	No	No	No	100/bag	2500
FC16016	15 ml	PP	Blue	No	No	No	100/bag	500
FC16017	15 ml	PP	Blue	No	No	No	100/bag	500

Containers Products

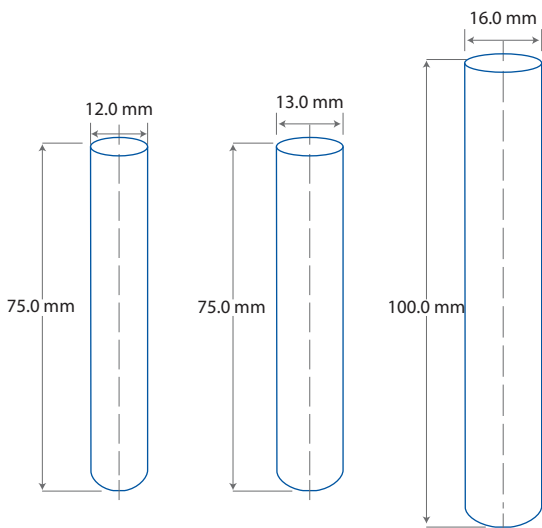
Test Tube

INTENDED USE

Test Tube are multi-purposes tubes intended for collection, storage & transport of laboratory specimens.

DESCRIPTION

Transparent polystyrene or polypropylene plastic graduated or non-graduated tube with different capacity.

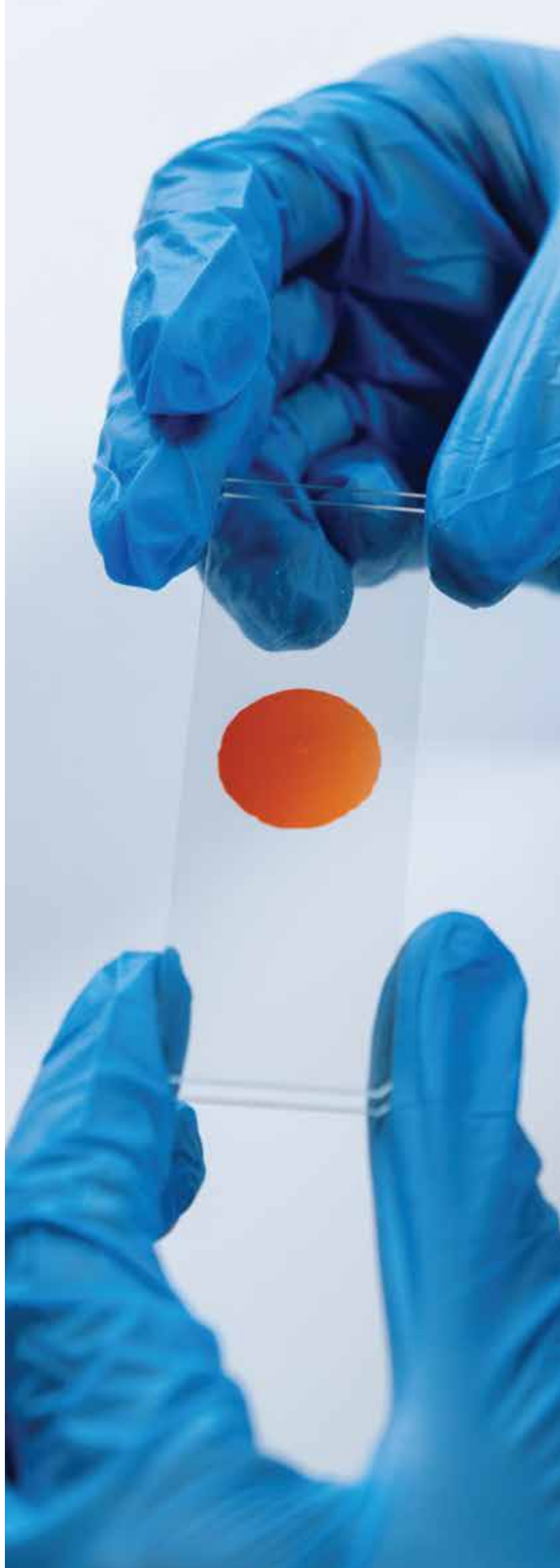


Product Code	Volume (mL)	Container Material	Tube Size (mm)	Pieces per Bag	Pieces per Box
FC21001	5 ml	PS	12x75	500	5000
FC21002	5.5 ml	PS	13x75	500	5000
FC21003	5.5 ml	PP	13x75	500	5000
FC21004	12 ml	PS	16x100	500	5000
FC21005	12 ml	PP	16x100	500	5000



Microscope Slides & Microscope Cover Glass

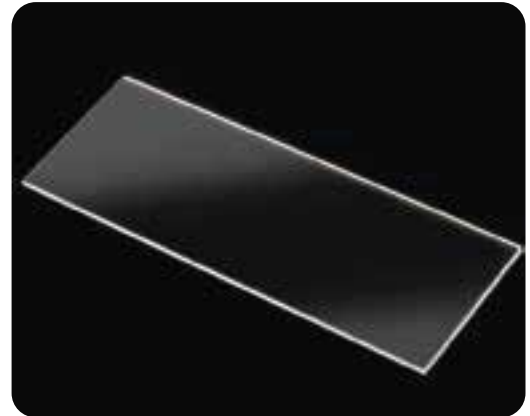
Plain Microscope Slide Ground Edges
Microscope Slide Ground Edges Single
Frosted
Microscope Cover Glass



Plain Microscope Slide Ground Edges

INTENDED USE

Designed for routine experiments where no extra adhesion or no adaptability to auto-writers is required in histology-pathology, hematology, cytology, microbiology and etc, for blood or body liquid tests, frozen tissue section examinations, biological specimen preparations and etc..



MATERIAL

Manufactured using Glass.

DESCRIPTION

Dimensions: 25.4mm×76.2mm.

Pre-cleaned to eliminate debris and improve wettability

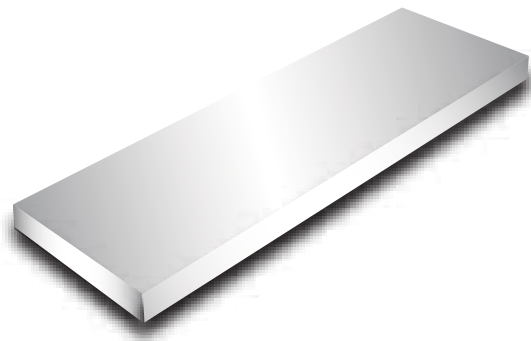
Beveled edges provide utmost safety during manual operations

Super grade and super white glass meet higher transparency and more uniform thickness requirements.

Standard class is supplied with tissue paper interleaved.

Ground edges 90° corners.

Product Code	Slide Material	Pieces per Box	Pieces per Carton
CHG1019	Glass	50	2500
CHG1020	Glass	72	3600



Microscope Slide Ground Edges Single Frosted

INTENDED USE

Recommended for marking with the conventional labeling system and marking with pencil or mark pens, create a considerable workload reduction over the Single Frosted Microscope Slides by offering a more random operation.



MATERIAL

Manufactured using Glass.

DESCRIPTION

Dimensions: 25.4mm×76.2mm.

Frosted area of approx. 20 mm depth, resistant to all common chemicals and routine stains that are utilized in laboratory.

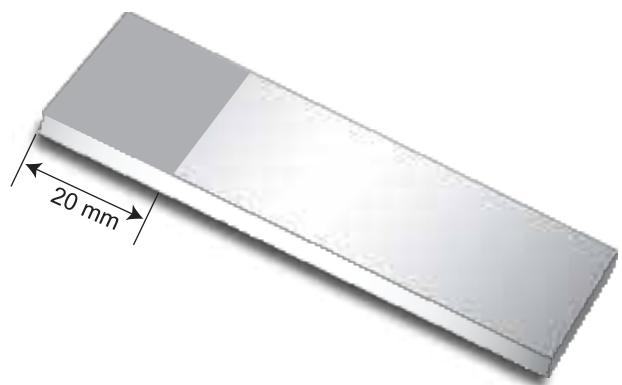
Beveled edges provide utmost safety during manual operations

Super grade and super white glass meet higher transparency and more uniform thickness requirements.

Standard class is supplied with tissue paper interleaved.

Ground edges 90° corners.

Product Code	Slide Material	Pieces per Box	Pieces per Carton
CHG1021	Glass	50	2500



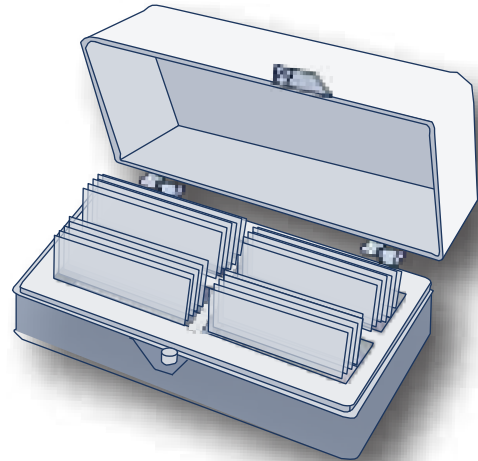
Cover Slides

INTENDED USE

Recommended for manual and automatic workflow in histology, cytology, urinalysis and microbiology

MATERIAL

Made of super glass sheets.



DESCRIPTION

Uniform flatness and uniform sizes.

Product Code	Thickness	Pieces per Bag	Pieces per Box	Pieces per Carton	Type
CHG1023	0.13mm-0.17mm	200	2000	400000	22X22
CHG1024	0.13mm-0.17mm	200	2000	400000	24X50

Microplate 96 Well

INTENDED USE

Ideal for a wide range of applications, such as agglutination reactions and washing in ELISAs (U bottom), centrifugation and sedimentation (V bottom), colorimetric assays and suspension cell cultures (F bottom).

MATERIAL

PS Plastic



DESCRIPTION

Microplate 96 Well individually wrapped, Sterile V shape, U shape, Flat shape.

Product Code	Shape
CHG1029	V Shape
CHG1027	U Shape
CHG1028	Flat Shape

Consumables

Plastic Cuvettes
Sample cups



Wooden Applicator Stick 150 mm

INTENDED USE

Made for general-purposes functionality, applicator sticks are usefull for sample preparation, sorting, cleaning, and mixing applications.



MATERIAL

Wood

DESCRIPTION

Non-sterile.
Should be stored in a dry and cool place.

Product Code	Sticks per Box
CHG1036	Box 1000 pcs

Tourniquet

INTENDED USE

A tourniquet allows for pressure to be applied to the arm so that venous blood returning to the heart can be slowed down. As a result, the blood vessel walls become temporarily occluded and the veins distend due to the pooling of blood. This allows veins to become more visible and easier to palpate.

DESCRIPTION

ABS auto lock buckle, terylene elastic belt



Product Code	Color
CHG1066	Blue
CHG1061	Pink
CHG1075	Red
CHG1081	Green



Blood Analysis

Plastic Cuvette

INTENDED USE

Cuvettes are filled with samples, usually diluted or suspended in liquid, and placed within a spectroscopy device, such as a colorimeter, fluorometer, or spectrophotometer.

MATERIAL

Manufactured using PS.



DESCRIPTION

Dimension : 1 ml (12.4 x 44.6 mm) / 4 ml (12.7 x 44.6 mm)

Product Code	Cuvette Material	Draw Volume ml	Pieces per Box	Pieces per Carton
CHG1007	PS	1 ml	100	1000
CHG1008	PS	4 ml	100	1000

Pipettors

Pipette Tips

INTENDED USE

Designed for use in a wide variety of pipetting applications, compatibility with Eppendorf™, Gilson™ pipettors.

MATERIAL

PP material, autoclavable.

DESCRIPTION

Sizes include 10µl, 200µl, 1000µl.
 Various color optional easy to identify.
 Non-sterile are available.



Eppendorf Type

Product Code	Tips Material	Draw Volume (µl)	Color	Pieces per Bag	Pieces per Box
CHG1016	PP	200µl	Yellow	1000	20000
CHG1018	PP	1000µl	Blue	500	10000

Gilson Type

Product Code	Tips Material	Draw Volume (µl)	Color	Pieces per Bag	Pieces per Box
CHG1015	PP	200µl	Yellow	1000	20000
CHG1017	PP	1000µl	Blue	500	10000
CHG1068	PP	10µl	White	1000	10000

Centrifuge Tubes

Micro-Centrifuge Tube With Snap Cap

INTENDED USE

Versatility tubes, Ideal for high-speed centrifugation, high-temperature incubations.

MATERIAL

Tubes manufactured using transparent PP.



DESCRIPTION

PP materials, resistance to most chemicals reagents and autoclavable when open. Standard and safe-lock snap caps optional, tight-fitting lid provides a leak-resistant seal. Withstand centrifugation up to 12000 rpm (except round bottom). Flat top and large frosted area on tube for easy sample identification. Guaranteed functionality between – 86°C to 100°C. Molded graduation for volume estimation. Volumes range from 0.1 ml to 1.5 or 2 ml.

Product Code	Tube Material	Draw Volume (µl)	Graduation	Pieces per Bag	Pieces per Box
CHG1005	PP	1.5 ml	0.1-0.5-1-1.5ml	500	5000
CHG1006	PP	2 ml	0.1-0.5-1-1.5-2ml	500	5000

Sample Cups

Hitachi Sample Cup

INTENDED USE

Used with analyzers to hematological and coagulation analyses of whole blood samples, biochemical analyses of serum samples.

MATERIAL

Manufactured using PS.

DESCRIPTION

Dimension : 16 x 38 mm



Product Code	Cap Material	Draw Volume ml	Pieces per Bag	Pieces per Carton
CHG1007	PS	3 ml	500	5000

Microplate 96 Well

INTENDED USE

Ideal for a wide range of applications, such as agglutination reactions and washing in ELISAs (U bottom), centrifugation and sedimentation (V bottom), colorimetric assays and suspension cell cultures (F bottom)



MATERIAL

P.S Plastic

DESCRIPTION

Microplate 96 Well Individually Wrapped, Sterile V shape, U shape, flat shape

Wooden Applicator Stick 150mm

INTENDED USE

Made for general-purpose functionality, applicator sticks are useful for sample preparation, sorting, cleaning, and mixing applications.

MATERIAL

Material: Wood

DESCRIPTION

Box/1000 pieces

Non-Sterile

Should be stored in a dry and cool place.



Sharps Disposal Containers

INTENDED USE

A sharps container is a hard plastic container that is used to safely dispose of hypodermic needles and other sharp medical instruments, such as IV catheters and disposable scalpels. They are often sealable and self-locking, as well as rigid, which prevents waste from penetrating or damaging the sides of the container.

MATERIAL

PP(polypropylene) Plastic

DESCRIPTION

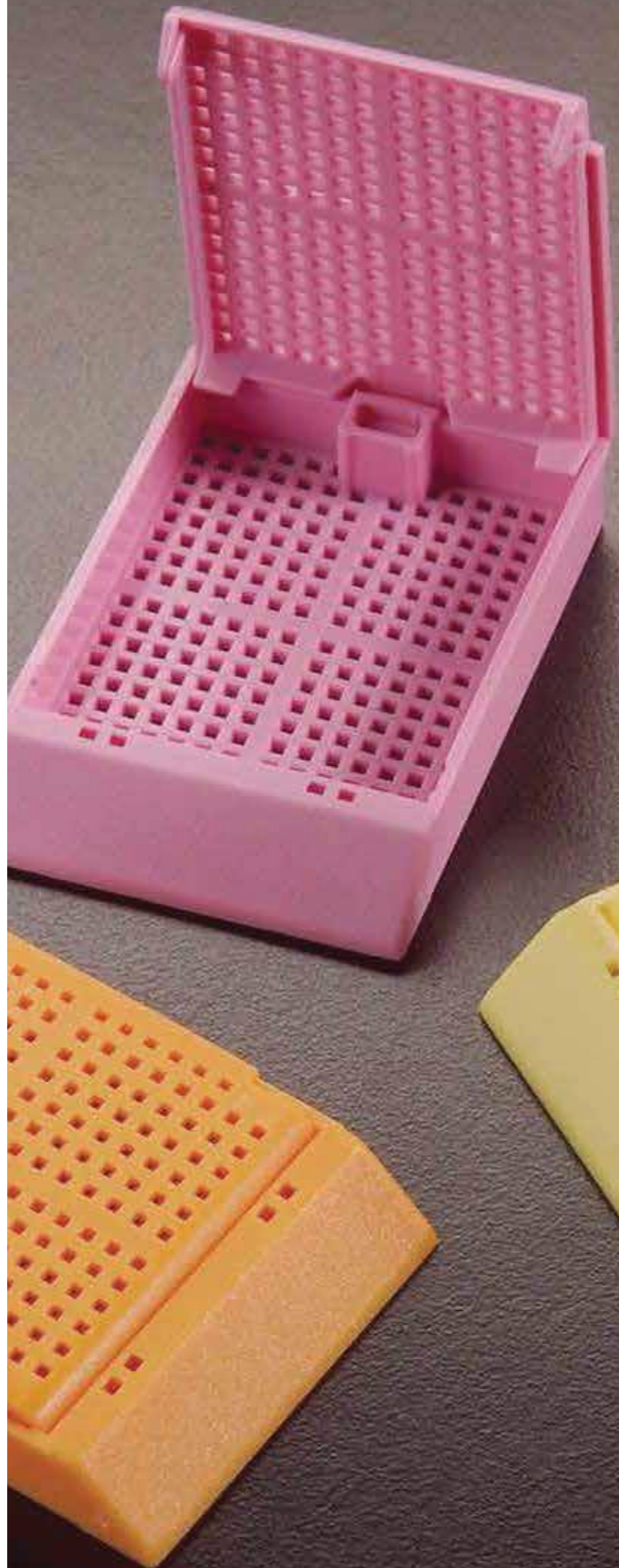
Red or yellow Medical sharp container - Capacity to full-line: 1,2,3,5,10 litre
Shape: rectangular or round





Pathology / Histology Products

Embedding Cassette
Base Molds
Slide Staining
Slide Storage



Pathology / Histology Products

Embedding Cassette

INTENDED USE

One-piece & snap-latch design allows convenient one-hand operations, and helps relock the lid securely without danger of specimen loss.

MATERIAL

Made of P.O.M material, 100% resistant to chemical actions of histological solvents.



DESCRIPTION

With square holes in dimensions of 0.9 mm × 0.9 mm
 Rectangle holes in dimension of 5.0 mmx1 mm

Product Code	Cassette Material	Color	Pieces per Bag	Pieces per Box
CHI2201	P.O.M	White	200	5000
CHI2202	P.O.M	Yellow	200	5000
CHI2203	P.O.M	Pink	200	5000
CHI2204	P.O.M	Blue	200	5000



Base Molds

Reusable Base Molds

INTENDED USE

Designed for facilitating same styles and same types of cassettes as well as embedding O rings in specimen embedding, compatible with most of the commonly-used embedding equipments

MATERIAL

stainless steel

DESCRIPTION

With fine polished surface and well-grounded corners



Product Code	NET WELL DIM. (L×W)
CHE2209	7×7
CHE2210	15×15
CHE2211	24×24
CHE2212	37×24
CHI2213	30×24

Slide Staining Staining Rack

INTENDED USE

Suitable for placing and storing microscope slides, microscope slides in dimensions of 75.0mm×25.0mm with thickness from 0.8mm to 1.2mm and also the microscope slides of 76.0mm×26.0mm×(0.8-1.2)mm.

MATERIAL

Stainless steel Rack.



Product Code	Discreption
CHI2214	Used with slide staining jar CHI2215

Slide Staining Staining Jar

INTENDED USE

Suitable for microscope slides staining in routine operations.

MATERIAL

Borosilicate glass material.



Product Code	Specification
CHI2216	5-PC, with glass lid, coplin type
CHI2217	9-PC, with glass lid, hellendhal type
CHI2218	10-PC, with glass lid, schifferdecker type

Slide Staining Sono™ Slide Staining Jar

INTENDED USE

Made of borosilicate 3.3 glass material
Designed for slide staining with the aid of related separate slide racks



Product Code	Specification
CHI2215	with glass hd, papani colau type used with slide staining rack CHI2214

Slide Storage Box

INTENDED USE

Designed as a convenient solution for temporary storage and transferring slide.

DESCRIPTION

Made of ABS material, re-usable Snap closures/metal lock and hinged-lids provide safe operation. A water-proof index card mounted inside the lids allows for simple specimen identification. Cord sheet gaskets prevent the slides against movement shakes.



Product Code	Color
CHI2219	Orange



Microbiology / Cell Culture / Molecular Biology

Inoculation Loop
Cell culture flask
Serological Pipettes, Plastic
Autoclave Indicator Tape
Reagent Bottles
Pipette Pump
Levo Pipette Controller
Magnetic Stirrer
Mortars



Plastic Loops

INTENDED USE

Disposables for collection and inoculation by streaking or puncturing method.

MATERIAL

Made of AS or ABS material.

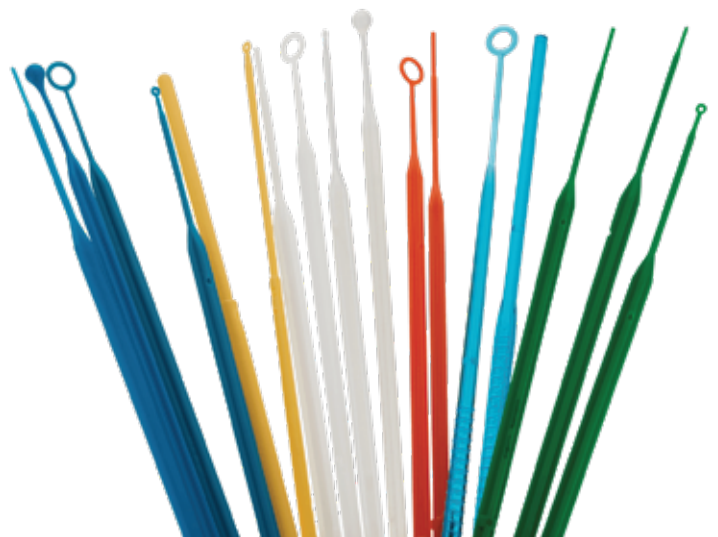
DESCRIPTION

Smooth surface, provides uniform and gentle streaking without damaging the gel surface. Color-coded sizes for easy identification.

Polygonal shaft improves grip, assists orientation and makes operations easy. Rigid and flexible loops available upon requests.



Product Code	Individually Wrapped	Draw Volume (µl)	Color	Pieces per Bag	Pieces per Box
CHM0901	Yes	10+1 µl	Yellow	100	5000
CHM0902	Yes	10+1 µl	Blue	100	5000
CHM0903	Yes	10+1 µl	White	100	5000
CHM0927	Yes	10+1 µl	White	100	5000
CHM0928	No	1 µl	White	20 pcs/zip-lock	10000



Culture Flasks

DESCRIPTION

Made of high-grade medical PS, suitable for cell culture scale up, hydrophilic surface (TC treated) improves cell attachment and proliferation

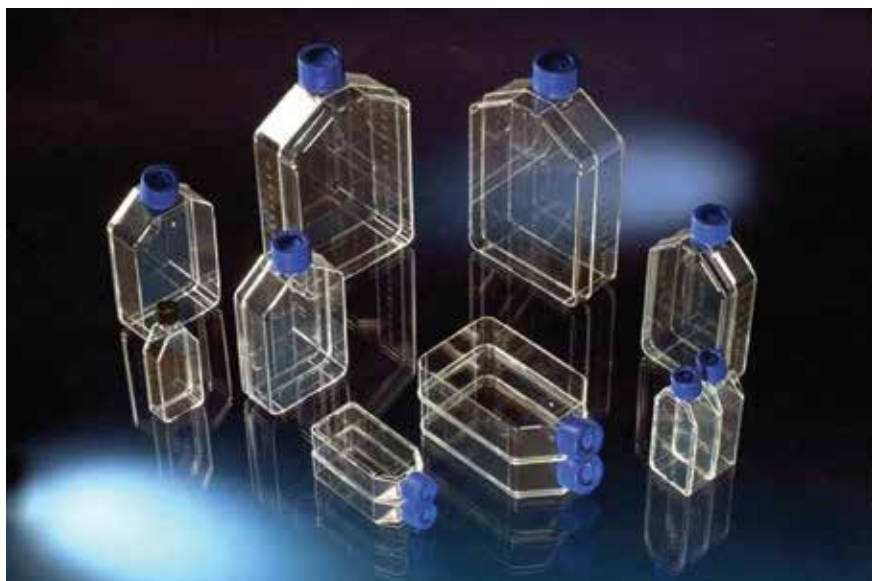
Product Code	Total Vol. (mL)	Culture Area (cm ²)	Working Vol. (mL)
CHM0941	250	75	15-25



Cell Culture Flasks with Filter Cap

DESCRIPTION

The filter caps feature a 0.2µm hydrophobic membrane that eliminates bacterial and fungal contamination, suitable for culture requiring constant gas exchange with the cap fully sealed and use in CO₂ incubators.



Autoclave Indicator Tape

DESCRIPTION

Light yellow tape is designed for use with standard autoclaves. When passed through a steam sterilization cycle the color of the indicator stripe will turn to dark brown or black after 15 minutes of exposure to a temperature of 121°C (250°F). The pressure-sensitive adhesive permits easy application, strong adherence, and clean removal from the autoclaved object, even under high-temperature and high-pressure conditions.



Product Code	Dimension	Packing
CHM0941	19mm×50m	12rolls/bag, 120bags/carton

Round Bottle with Screw Cap, Glass Material

DESCRIPTION

Suitable for general purpose laboratory applications, such as storage, sample preparation, transport, autoclaving media.

Product Code	Vol. (mL)	Mouth (mm)	Dimension	Packing
CHM0907	250	30	Ø70×138	48each/pack
CHM0908	500	30	Ø86×176	24each/pack



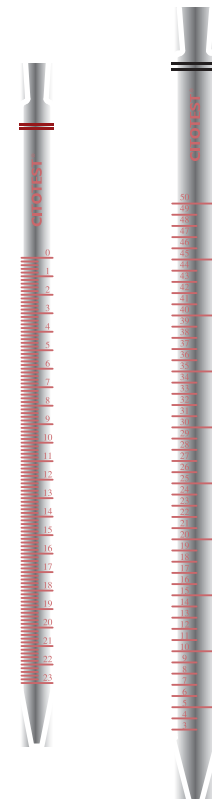
Serological Pipettes, Plastic

INTENDED USE

Designed for quantitatively transferring and dispensing exact volumes of liquid

DESCRIPTION

Biologically inert PS, disposable
 Easy-to-read graduation, color-coded by size for identification
 Volumes vary from 1ml, 2ml, 5ml, 10ml, 25ml and 50ml



Product Code	VoL. (ml)	Band Color
CHM0910	1	Yellow
CHM0931	2	Green
CHM0923	5	Blue
CHM0911	10	Red
CHM0932	25	Purple
CHM0932	50	Black

Pipette Pump

INTENDED USE

Designed for fast and efficient pipetting with various volume of pipettes

DESCRIPTION

Excellent material, resistance to acids and alkalis
 Thumbwheel for precision operation
 Volume capacity of 2ml, 10ml and 25ml
 Color-coded by size for identification

Product Code	Capacity (ml)	Color
CHM0934	2	Blue
CHM0913	10	Green
CHM0935	25	Red



Levo Plus Motorized Pipette Filler

INTENDED USE

Ideal for precise filling and delivering liquid, matching with 0.1-100mL glass or plastic pipettes

DESCRIPTION

PVDF material, resistant to chemical
 Lightweight, ergonomic, with aspirate and dispense triggers
 0.45µm filter and silicone adapter can be integral and replaceable
 Efficient lithium-ion battery offers more than 8 hours of intermittence use
 LCD display provides visual confirmation of remaining battery charge and speed settings



Product Code	Type	Power Supply
CHM0936	Levos Plus	Euro Plug

Stirrer Bars and Stirrer Bar Retrievers

INTENDED USE

Different types of various sizes are available, suitable for different shapes and sizes of vessels.

DESCRIPTION

Available with Alnico V or Rare Earth magnet
 Isostatically molded in pure PTFE, guaranteed inert and leak-free
 In-adhesive, non-conductive, not bibulous and smooth profile easy to be cleaned
 Stable use in the temperature ranges from -190~150 C
 Various shapes are available



Product Code	Length	DIA. (mm)
CHM0937	25	8
CHM0938	41	8
CHM0939	64	8

Mortars, Porcelain

INTENDED USE

Ideal tools for reducing substances to power and obtaining a smooth mixture of paste or adhesive

DESCRIPTION

Porcelain material, with a pouring lip
 Unglazed inside and glazed outside
 Oversized pestles, for comfortable use



Product Code	DIA. (mm)	Bottom DIA. (mm)	Hight (mm)
CHM0990	100	60	45

Molecular Biology

Blood Culture Medium

Ref. **FR19001 - 30 ml**
FR19002 - 70 ml

INTENDED USE

A qualitative test for the detection of microorganisms in blood. Brain Heart Infusion, Yeast extract, SPS and other supplements

Method

For Use in the Culture of Microorganisms

Reagents

Ready to use Blood culture media 30 ml for small sample volume (Pediatric) use and 70 ml for (Adult) use.

DESCRIPTION

Size : (30 , 70 ml).

Store at 15-25°C, Protect from light



Stains

Eosin Stain Bottle
Giemsa stain
Rapi Stain
Gram's Stain kit
Haematoxylin
Leishmans Stain
Ziehl-Neelsen
Mounting Media –DPX
Lugol Iodine stain
Retic stain
Methylene blue



Eosin Stain 250 ml Bottle Concentrate

Ref. FR22003

INTENDED USE

Eosin is tetra bromofluorescein (a substituted xanthene),a red acidic dye and fluorochrome .

The dye is very soluble in ethyl alcohol and used for the staining of cytoplasm

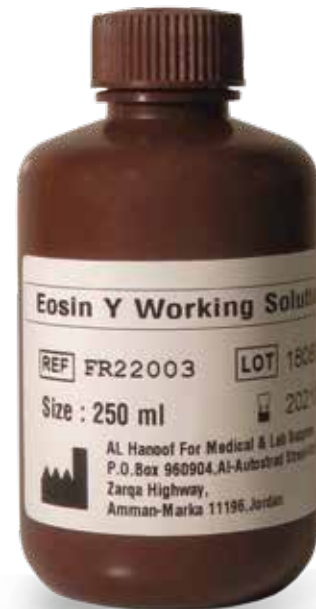
Reagents

Eosin Y 2gm
Distilled Water 10ml

DESCRIPTION

Size: (250 ml).

Reagent is stable at cool room temperature in darkened cupboard for the shelf life.



Giemsa stain with buffer

Ref. FR22031

INTENDED USE

For In Vitro Diagnostic Use. Giemsa stain is an excellent classical blood film stain used on peripheral blood smears and bone marrow. And other hematopoietic tissue (lymph nodes) as well as some parasitical microorganisms. Giemsa stain is also used to visualize chromosomes.

Method

Coplin jar method, thin blood smears.

Reagents

(Giemsa Stock Solution) 2*250 ml

(Buffer Solution PH 6.8) 2*250 ml

DESCRIPTION

Size : (4*250 ml).

Store reagent at cool room temperature in darkened cupboard tightly closed.



RAPI STAIN

Ref.: FR22036

INTENDED USE

A rapid staining alternative to the traditional Romanowsky techniques, RAPI-STAIN is especially helpful for differential and cell morphology. It cuts total staining time to a fraction of that required by traditional techniques.



Method

Blood staining is carried out and staining characteristic is observed under microscope by using immersion lens.

Reagents

Solution A	Buffered mixture of Eosin
Solution B	Buffered mixture of Azure / Methylene Blue
Solution C	Stabilized fixative

DESCRIPTION

SIZE :250 ml x3

Result:

Red cells - Pink

Cell nuclei - Blue- Purple

Acidophil granules - Pink- Red

Basophil granules - Blue

All reagents are stable up to the stated expiry date when stored at 15-25° C.
Keep tightly closed to prevent air oxidation

Gram's Stain Kit

Ref. FR22009

INTENDED USE

Bacteria are divided into two categories, depending on whether they can be decolorized with Gram's Decoloriser after Staining with Crystal Violet and treating with Iodine. Gram's Stain is used to differentiate between Gram Positive and Gram Negative bacteria.



Reagents

1. Gram's Crystal Violet (Methyl Violet) 0.5%
2. Gram's Iodine (Lugol's Iodine)
 - Potassium Iodide 2.0%
 - Resublimed Iodine 1.0%
3. Gram's Decoloriser
 - Methanol 80%
 - Acetone 20%
4. Gram's Safranin (Counter Stain) 1.0%

REAGENT PREPARATION

All reagents are ready to use. It is recommended to filter all stain before use.

DESCRIPTION

Size : (4 x 250 ml).

All reagents are stable up to the stated expiry date when stored at 15-25 C. Keep tightly closed to prevent air oxidation.

Haematoxylin

Ref. FR22032

INTENDED USE

Haematoxylin Stains for use in Histology & Cytology, (Nuclear counter stain).

Method

Blood staining is carried out and staining characteristic is observed under microscope by using immersion lens.

Reagents

Haematoxylin Powder (Harris haematoxylin is preferred).
Good Haematoxylin powder is brown powder.
Potash alum (Pattkari in Urdu). Mercuric oxide.
Ethanol.
Distal water.

DESCRIPTION

Size : (250 ml).

Control slides are recommended to ensure the staining reagents system is working correctly.



Leishmans Stain with Buffer

Ref. FR22010

INTENDED USE

AFCO Diagnostic - for the differentiation of cell types in blood smears. This traditional single step stain reagent does not require pre-fixation of smears and will produce a satisfactory stain picture within 6-7 minutes.



Method

Blood staining is carried out and staining characteristic is observed under microscope by using immersion lens.

Reagents

Leishman stain powder 2*0.75 gm

Methanol 2*500 ml

Buffer PH: 6.8 2*500 ml

DESCRIPTION

Size: (4 x 500 ml).

Contains Leishmans type compound in a methanolic solvent system containing solubility improvers and stabilizers with Buffer. Ready to Use

Ziehl - Neelsen (TB) Stain

Ref. FR22016

INTENDED USE

For the staining of Mycobacterium tuberculosis and other acid fast bacteria.



Reagents

REAGENT COMPOSITION

SOLUTION 1 – CARBOL FUCHSIN

Basic fuchsin 0.1 %

Cystalline Phenol 0.5%

95% Alcohol 10.0%

SOLUTION 2 – ACID ALCOHOL (DECOLOURIZER)

95% Alcohol 97%

Concentrated hydrochloric acid 0.5%

SOLUTION 3 - METHYLENE BLUE

Methylene Blue Powder

0.5%

DESCRIPTION

Size : (3 x 250 ml).

All solutions are stable up to the stated expiry date when stored at 15-25 C. Keep tightly closed to prevent air oxidation.

Mounting Media - DPX

Ref. FR22015

INTENDED USE

For use as a permanent, resin-based mounting medium in histological and cytological preparations.



Method

DPX is suitable for all staining techniques which are compatible with the use of alcohol and aromatic (xylene/toluene) clearing agent. DPX is clear and colorless and will not discolor with age. The formula contains an antioxidant to inhibit stain fading, and is completely soluble in xylene and toluene. DPX is dispensed onto a stained specimen slide in liquid form. The evaporation of the carrier solvent results in the hardening of the DPX to form a solid clear film. As DPX has a reflective index similar to glass, the specimen can be viewed under a microscope.

Reagents

A mixture of distyrene (a polystyrene) a plasticiser (tricresyl phosphate) and xylene.

DESCRIPTION

Size : (1 x 100 ml).

Keep in a cool, dry well ventilated area. Keep containers tightly closed. Store in correctly labelled containers. Keep away from direct sunlight.

METHYLENE BLUE SATIN

Ref.: FR22042

INTENDED USE

Methylene Blue Stain, also called methylene blue aqueous is a simple stain and is used for capsule stain as well as simple staining for a quick and easy way to determine cell shape, size, and arrangements of bacteria. It is also applicable to differentiate bacteria from yeast cells and presumptively identify the bacterial isolate by a simple wet mount technique.



Method

Blood staining is carried out and staining characteristic is observed under microscope by using immersion lens.

Reagents

Methylene Blue 0.5gm
Deionized Water 100 mL
Sodium azide

DESCRIPTION

SIZE :250 ml

Result:

Bacteria : - -D ark blue

Cytoplasm: Pale blue

The reagent is stable up to the stated expiry date when stored at 15-25° C. It is recommended to filter all stain before use

Lugol's Iodine Stain

Ref.: FR22004

INTENDED USE

Lugol's iodine is used as staining solution to detect intestinal protozoa and helminth ova or larvae

Method

Staining of intestinal protozoa is carried out and staining characteristics of organisms is observed under microscope by using oil immersion lens.

Reagents

- Potassium Iodide 2.0%
- Resublimed Iodine 1.0%

DESCRIPTION

SIZE :250 ml

Results :

Glycogen : Reddish brown

Cytoplasm : Yellow

Nuclei : Light refractile bodies.

Store below 30°C in tightly closed container and away from bright light. Use before expiry date on label.



May Grunwald Stain

Ref.: FR22004

INTENDED USE

It is used for staining of blood, bone marrow smears and clinical cytological

Method

May Grunwald's Blood Stains are basic and acidic dyes which induce multiple colours when applied to cells. Methanol acts as a fixative and also as a solvent. The fixative does not allow any further change in the cells and makes them adhere to the glass slide. The basic component of white cells (i.e. cytoplasm) is stained by the acidic dye and they are described as eosinophilic or acidophilic. The acidic components (e.g. nucleus with nucleic acid) take blue to purple shades of the basic dyes and they are called basophilic. The neutral components of the cell are stained by both the dyes

Reagents

Eosin Y 1.000 gm
Methylene blue 1.000 gm
Methanol 100.000 ml

DESCRIPTION

SIZE :250 ml

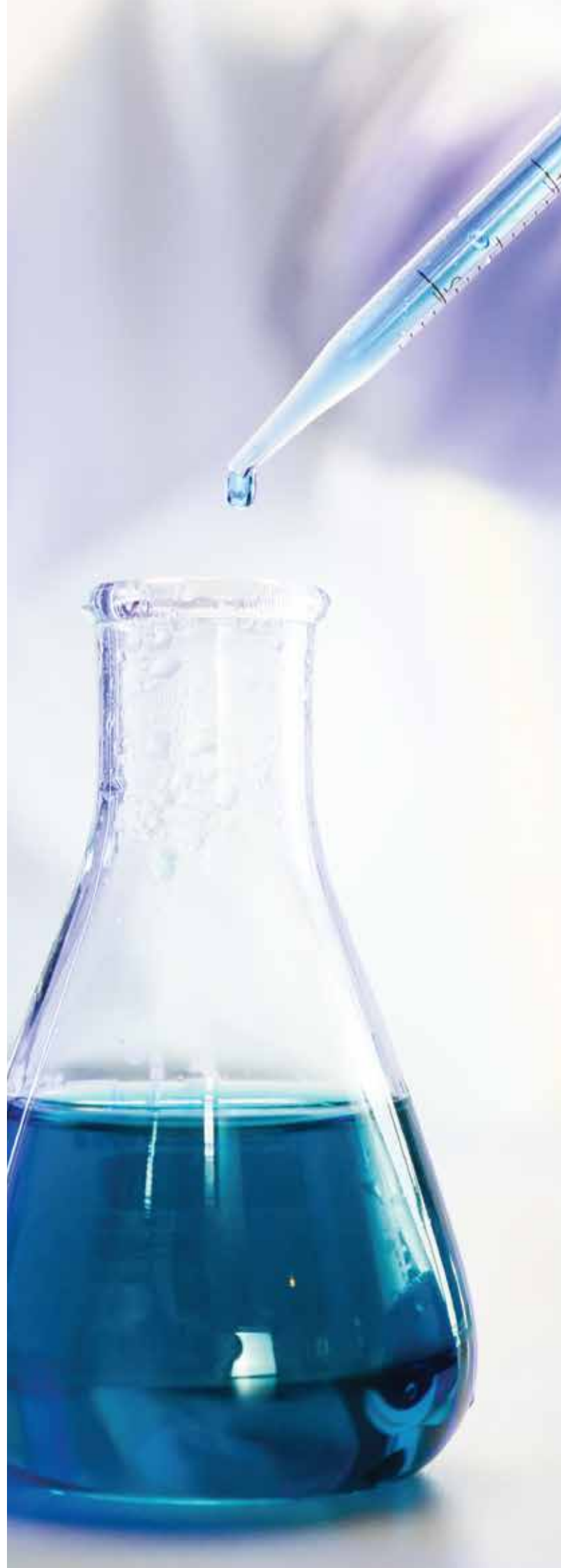
Store below 30°C in tightly closed container and away from bright light. Use before expiry date on label.





Chemistry Kit, Blood Group, Serology Kit

ALT / GPT
AST / GOT
Alkaline Phosphatase
Creatinine
Potassium
Sodium
Sulfosalicylic Acid
Drabkin
RBC
Anti Human
Bovine
Anti A, Anti B, Anti D



Alanine Aminotransferase (ALT/GPT) Colorimetric

Ref. FR22028

INTENDED USE

AFCO Diagnostics ALT reagent is intended for the in-vitro quantitative, diagnostic determination of ALT in human serum.

Method

ALT – (colorimetric method).

Reagents

Reagent 1 (R1 Buffer)
Phosphate buffer 100 mmol/L
DL- Alanine 200 mmol/L
2 – Oxoglutarate 6 mmol/L
Sodium Azide 12 mmol/L

Reagent 2 (R2)
2,4-dinitrophenylhydrazine 2.0 mmol/L

DESCRIPTION

Size : (2 x 100 ml) 200 test.

The reagents are supplied ready-to-use and stable up to the expiry date labeled on the bottles when stored at 2 – 8 oC.



Aspartate Aminotransferase (AST/GOT) *Ref. FR22027*

Colorimetric

INTENDED USE

AFCO Diagnostics colorimetric AST reagent is intended for the in-vitro quantitative, diagnostic determination of AST in human serum.



Method

AST – (Colorimetric method).

Reagents

Reagent 1 (R1 Buffer)
Phosphate buffer 100 mmol/L
L- aspartate 100 mmol/L
2-Oxoglutarate 5 mmol/L
Sodium Hydroxide 140 mmol/L
Sodium Azide 12 mmol/L

Reagent 2 (R2)
2,4-dinitrophenyl-hydrazine 2 mmo/L
HCl 8.4 %

DESCRIPTION

Size : (2 x 100 ml).

The reagents are supplied ready-to-use and stable up to the expiry date labeled on the bottles when stored at 2 – 8 oC.

Alkaline Phosphatase

Colorimetric

Ref. FR22025



INTENDED USE

AFCO Diagnostics Alkaline Phosphatase Colorimetric reagent is intended for the in-vitro quantitative, diagnostic determination of ALP in human serum on both automated and manual systems.

Method

ALP – (Colorimetric method).

Reagents

Reagent 1 (R1 Buffer) pH 10
Disodium phenylphosphate 5.0 mmol/L
Carbonate-bicarbonate buffer 50 mmol/L
Reagent 2 (R2 Standard)
Phenol Equal to 20 kind and king U
Reagent 3 (R3 Blocking reagent)
4-aminoantipyrine 60 mmol/L
Sodium arsenate 240 mmol/L
Buffer pH 10

Reagent 4 (R4 Color reagent)
Potassium ferricyanide 150 mmol/L

DESCRIPTION

Size : (4 x 20 ml) 80 test.

The reagents are supplied ready-to-use and stable up to the expiry date labeled on the bottles when stored at 2 – 8 oC.

Creatinine Colorimetric

Ref. FR22029



INTENDED USE

AFCO Diagnostics creatinine reagent is intended for the in-vitro quantitative, diagnostic determination of creatinine in human serum or urine on manual system.

Method

Colorimetric method with deproteinization.

Reagents

Standard creatinine (ST)

2 mg/dL 177 mmol/L

Reagent 1 (R1)

Picric acid 38 mmol/L

Reagent 2 (R2)

Sodium hydroxide 1.6 mol/L

DESCRIPTION

Size : (2 x 100 ml) 200 test

All reagents are stable until expiration date stated on label when stored at 15 - 25 oC. Working solution is stable for one day at 15 – 25 oC away from light.

Potassium

Ref. FR22024

Tetraphenylborate Method without Deproteinization



INTENDED USE

AFCO -Diagnostics Potassium reagent is intended for the in-vitro quantitative diagnostic estimation of potassium in human serum on manual systems.

Method

Turbidimetric Tetraphenylborate (TPB).

Reagents

Reagent R

NaOH	0.50 mol/L
TPB-Na	240 mmol/L

Standard

Potassium	5.00 mmol/L
-----------	-------------

DESCRIPTION

Size : (4 x 25 ml) 100 test.

Reagent and standard are ready-to-use. When stored at 2 – 25 oC; they are stable up to the expiry date printed on the label. The remaining stability after opening the bottles is 1 month at 18 – 25oC

Sodium

Single Reagent

Ref. FR22026



INTENDED USE

AFCO Diagnostics Sodium reagent is intended for the in-vitro quantitative diagnostic estimation of sodium in human serum on manual systems.

Method

Colorimetric method.

Reagents

Reagent (R)	Color Reagent
Chromogen	0.03 gm/L
EDTA	25 mmol/L
Bicine buffer	75 mmol/L
preservatives	0.05%
Antifoam	0.01 %
Standard (S) Sodium	150 mEq/l

DESCRIPTION

Size : (4 x 25ml) 100 test.

Reagents and standard are ready-to-use. When stored at 2 – 25 oC; they are stable up to the expiry date stated on the label. The remaining stability after opening the bottles is 1 month at 2 – 25 oC.

Sulfosalicylic Acid

20 %

Ref. FR22001

INTENDED USE

Used in urine tests to determine urine protein content. The chemical causes the precipitation of dissolved proteins, which measured from the degree of turbidity.

Method

Turbidity test.

Reagents

Sulfosalicylic acid fixing solution
46 g of 5 sulfosalicylic acid
2000 ml distilled water

DESCRIPTION

Size : (100ml).



Haemoglobin(Single Reagent) Drabkin's Solution

Ref. FR22030

INTENDED USE

AFCO Diagnostics haemoglobin reagent is intended for the invitro quantitative, diagnostic determination of haemoglobin in human blood.



Method

colorimetric method using Drabkin's solution.

Reagents

Potassium ferricyanide	31 mmol/l
Potassium phosphate	52 mmol/l
Potassium cyanide	77 mmol/l
Surfactant	2 %

DESCRIPTION

Size : (2 x 50 ml) 1000 test

The reagent is stable until expiration date stated on label when stored at 15 - 25 oC. Prepare the working solution by diluting the contents of the concentrated reagent (R) to 1000ml with distilled water (add one bottle of reagent (R) to 980 ml of dist.water), mix thoroughly. working reagent can be prepared according to the volume needed by mixing 1 ml of the concentrated reagent (R) plus 49 ml distilled water.

RBC

Ref. FR22011

Dilution Fluid 500 ml Bottle

INTENDED USE

Red Cell Dilution Fluid.
 This ready to use diluent is used to dilute red cells in whole blood to enable counting by visual means. In the diluent the red cells maintain their normal disc-like form and are not agglutinated. The red cells are well preserved and counts may be performed several hours after the blood has been diluted.



Method

The reagent is ready for use. Counting RBC by visual means using Neabauer Counting Chamber.

Reagents

Contains trisodium citrate

DESCRIPTION

Size: (1 x 500 ml).
 The reagent is stable up to the stated expiry date when stored at 15-25.
 Keep tightly closed to prevent air oxidation.

Micro albumin Kit
ZINC, Colorimetric Test with 5-Brom-PAPS

Ref. FR22056
Ref. FR22039

COOMB'S Anti-Human Polyspecific

Ref. FR22022

INTENDED USE

AFCO Diagnostics Anti-Human Globulin Serum is intended for the in-vitro detection of antibody coating on human erythrocytes

Method

(COOMBS Test) Direct / Indirect test.

Reagents

This prepared by blending the serum from Rabbits which have been immunized with different human globulin preparation preservative 0.1 % sodium azide.

DESCRIPTION

Size : (10 x 10 ml).
Store at 2 - 8 oC



Bovine Albumin 22% Solution (BSA)

Ref. FR22021



INTENDED USE

AFCO Diagnostics Bovine Serum
Albumin is intended for the in-vitro use

Method

Incomplete antibodies have the ability to combine with their specific antigens in the first stage of agglutination but will not produce visible agglutination without the use of special techniques. Addition of bovine albumin to the cell suspension enable some of these antibodies to complete the second stage of agglutination . Albumin has been shown to enhance the sensitivity of the indirect antiglobulin test for some antibody specificities specification.

Reagents

AFCO 22% Bovine albumin reagents are prepared from bovine serum albumin. The polymer content of AFCO 22% polymer Enhanced Bovine Albumin is increased naturally by a process modification . No artificial avidity enhancers or high molecular weight agglutination potentiators are added to BSA. These reagents do not contain sodium caprylate. Sodium azide at 0.1 % is added as a preservative . these reagents should be used as supplied by the methods described ; their suitability for use in other techniques must be determined by the user.

DESCRIPTION

Size : (10 x 10 ml) vial.

Following the recommended procedures all tests should be read immediately and results interpreted without delay. Delays in reading or delays in completion of washing steps where appropriate may result in dissociation of antigen antibody complexes, leading to false negative or weak positive reactions

AFCO ABO Blood Grouping System

Anti-A, Anti-B (IgM) Ref. FR20010

Anti-D (Igm & IgG) Ref. FR20008



INTENDED USE

AFCO Diagnostics Anti-A, Anti-B reagent is intended for the detection of Blood groups A B in Human Blood. AFCO Diagnostics Anti-D (Rho) plus reagent is intended for the detection of Rho (D) Type in human Blood

Method

Slide test or tube test/agglutination test

Reagents

AFCO Anti-A, Anti-B are ready-to-use reagents prepared from supernatants of mouse hybridoma cell cultures. These antibodies or immunoglobulin class IgM are a mixture of several monoclonal antibodies of the same specificity but having the capability of recognising different epitopes of the human red blood cell antigens A and B. Each batch of reagent undergoes quality control at various stages of manufacture for its specificity, avidity and performance,

AFCO Anti-D (Rino) plus is ready to use reagent prepared from supernatants of cell cultures with antibody producing B lymphocytes obtained through EBV transformation and is a blend of monoclonal antibodies of Immunoglobulin class IgM and IgG. These antibodies are a mixture of several monoclonal antibodies of the same specificity hut having the capability of recognising different epitopes of the human red blood cell antigen D (Rho). AFCO Anti-D (Rho) plus reagent is a blend of IgM and IgG class of Anti-D (Rho) monoclonals, a characteristic which accords versatility to the reagent. It gives an avid saline reacting slice/ tube test reagent the capability of detecting Du (weak/partial D's) in the Anti-human globulin phase. Each batch of reagent undergoes quality control at various stages of manufacture for its specificity, avidity and performance

DESCRIPTION

Size: (10 x 10 ml).

Store the reagent at 2-5 °C. Don't freeze.

The shelf life of reagent is as per the expiry date mentioned on the reagent vial label



SEROLOGY KITS

ASO LATEX KIT
CRP LATEX KIT
RF LATEX KIT
Rose Bengal KIT
WIDAL Antigen Set KIT



ASO LATEX KIT

Slide Agglutination

Ref . FR22047

INTENDED USE

This reagent is intended for in vitro qualitative & semi quantitative determination of Anti - Streptolysin O (ASO) in serum.



Method

ASO latex kit is a rapid agglutination procedure for the direct detection and semi-quantitation (on slide) of antistreptolysin-O (ASO). The antigen, latex particles suspension coated with Streptolysin-O, agglutinates in the presence of specific antibodies present in the sera of patients with Streptolysin O.

Reagents

Latex : Latex particles coated with Streptolysin O, pH8.2, Preservative

Control +: Human serum with ASO concentration > 200 IU/ml
Red Cap

Control -: Animal serum, preservative
Green Cap

DESCRIPTION

SIZE :100 Test

Fresh serum, Stable 7 days at 2-8°C or 3 months at -20°C. Samples with presence of fibrin should be centrifuged.

Do not use highly hemolyzed or lipemic samples.

CRP LATEX KIT

Slide Agglutination

Ref . FR22055

INTENDED USE

CRP slide test is a convenient and specific slide agglutination assay for the qualitative and semi quantitative detection of C-Reactive Protein (CRP) in human serum



Method

The CRP-latex is a slide agglutination test for the qualitative and semi-quantitative detection of C-Reactive Protein (CRP) in human serum. Latex particles coated with goat IgG anti-human CRP are agglutinated when mixed with samples containing CRP.

Reagents

Latex : Latex particles coated with goat IgG anti-human CRP, pH 8.2, Preservative

Control +: Human serum with CRP concentration > 20 mg/L
Red Cap

Control -: Animal serum, preservative
Green Cap

DESCRIPTION

SIZE :100 Test

Fresh serum, Stable 7 days at 2-8°C or 3 months at -20°C. Samples with presence of fibrin should be centrifuged.

Do not use highly hemolyzed or lipemic samples .

RF LATEX KIT

Ref . FR22051

Slide Agglu nation

INTENDED USE

This reagent is intended for in vitro qualitative & semi quantitative determination of Rheumatoid factor (RF) in serum.



Method

The RF-latex is a slide agglutination test for the qualitative and semi- quantitative detection of RF in human serum. Latex particles coated with human gamma globulin are agglutinated when mixed with samples containing RF.

Reagents

Latex : Latex particles coated with human gamma-globulin, PH 8.2. Preservative. Contains N,Ndimethylformamide

Control +: Human serum with a RF concentration > 30 IU/mL.
Red Cap

Control -: Animal serum, preservative
Green Cap

DESCRIPTION

SIZE :100 Test

Fresh serum, Stable 7 days at 2-8°C or 3 months at -20°C. Samples with presence of fibrin should be centrifuged.

Do not use highly hemolized or lipemic samples.

Rose Bengal KIT

Slide Agglu nation

Ref . FR22037

INTENDED USE

This reagent is intended for in vitro for the qualitative and semi-quantitative detection of antibodies anti-Brucella in human serum.



Method

The Rose Bengal is a slide agglutination test for the qualitative and semi-quantitative detection of antibodies anti-Brucella in human serum. The stained bacterial suspension agglutinates when mixed with samples containing specific IgG or IgM antibodies present in the patient sample.

Reagents

Latex : Brucella abortus suspension, strain S99, in lactate buffer 1 mol/L, phenol 5 g/L, Rose Bengal, pH 3.6

Control +: Animal serum, with an antibody anti- Br.abortus
Red Cap concentration 50 IU/mL. Preservative

Control -: Animal serum, preservative
Green Cap

DESCRIPTION

SIZE :100 Test

Fresh serum. Stable 7 days at 2-8°C or 3 months at -20°C.

Samples with presence of fibrin should be centrifuged before use.

Do not use highly hemolyzed or lipemic samples.

WIDAL Antigen Set KIT

Ref . FR22065

INTENDED USE

This reagent is intended for detection the presence of Salmonella genus which causes enteric or Typhoid Fever .



Method

The manual technique employed, on a plate or in a tube utilizes the principle of heamagglutination. Test red blood cells bearing an antigen agglutinate in the presence of the reagent containing the corresponding antibody.

Reagents

Bacterial Antigens: Suspensions of Salmonellas in glycine buffer, pH 8.2.
Preservative

DESCRIPTION

- SALMONELLA H GROUP D ANTIGEN (S.Typhi H)
- SALMONELLA H GROUP A ANTIGEN (S.Para Typhi AH)
- SALMONELLA H GROUP B ANTIGEN (S.Para Typhi BH)
- SALMONELLA O GROUP D ANTIGEN (S.Typhi O)
- SALMONELLA O GROUP A ANTIGEN (S.Para Typhi AO)
- SALMONELLA O GROUP B ANTIGEN (S.Para Typhi BO)

Use fresh serum obtained by centrifugation of clotted blood. The sample may be stored at 2-8°C for 48 hours before performing the test. For longer period of time the serum must be frozen.

Haematic, lipaemic or contaminated serum must be discarded.

